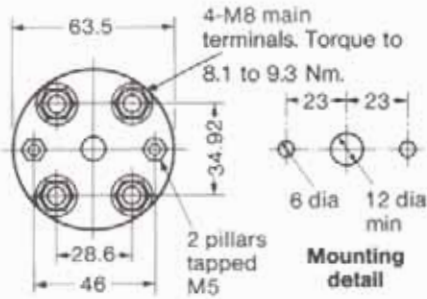
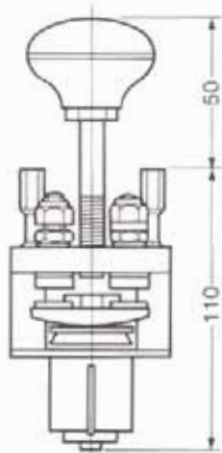


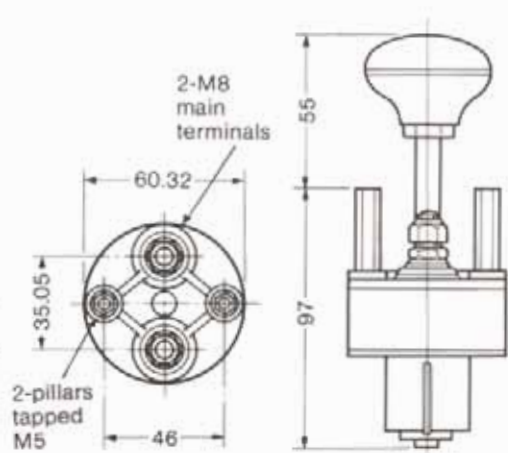
Albright

Emergency Battery Disconnecting Switches

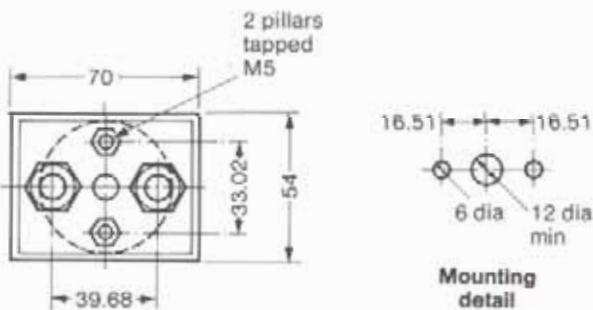
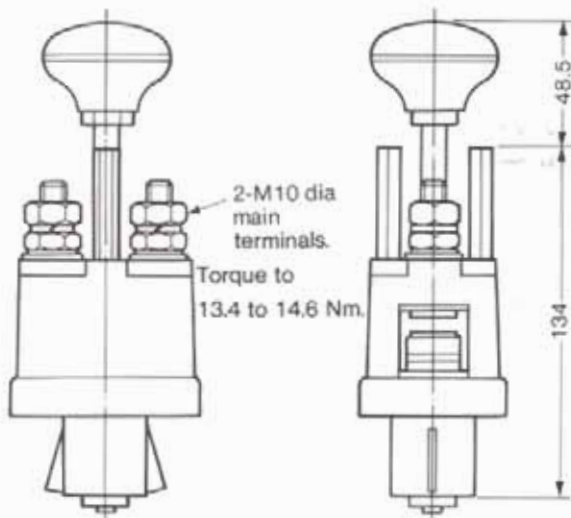




SW155



SW159



SW203

LOCKABLE VERSION

SW155L, SW159L, SW203L



Lock mounted into fixing pillars
Overall depth below panel increased as follows:

Type No	Min. depth below panel
SW155L	123mm
SW159L	125mm
SW203L	147mm

Mounting detail



All dimensions are in millimetres

With the current emphasis on safety at work, the Albright range of Panic Buttons has been designed for use on electric vehicles to provide a means of rapidly isolating the battery in the event of a serious electrical fault.

All types will withstand continuous (100%) currents up to at least 200 amperes and they will tolerate the typical peak currents which occur in electric vehicles during gradient climbing etc.

The design of these switches is such that they are positively latched in the 'ON' condition by pulling the red knob upwards. Severe jolting of the vehicle due to rough ground will not release the switches.

However, in the event of a fault such as a short circuit or if the driver is unable to stop the vehicle because of a problem with the vehicle control system, a light pressure on the red knob unlatches the contacts of the emergency disconnecting switch thus isolating the battery from the rest of the vehicle.

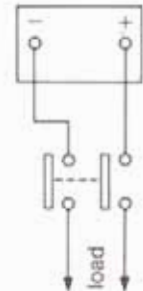
Mounting of the device is by two screws (M5) through the vehicle panel which should be drilled as shown.

All types can be fitted with a lockable attachment. This makes it necessary for a key to be used before the Panic Button can be moved to the 'ON' position. The key is removed and the Panic Button can then be moved to the 'OFF' position by striking the red knob. This automatically locks the switch in the 'OFF' condition, requiring further use of the key to restore it to the 'ON' position.

Panic Buttons with the lockable attachment have the suffix 'L' added after the main type number, eg. SW155L.

The range comprises:—

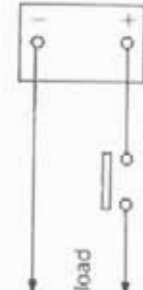
SW155 Double Pole Panic Button



SW159 Single Pole Panic Button



SW203 Single Pole Panic Button fitted with magnetic blowouts



**Lockable Panic Button
SW159L, SW155L, SW203L**



Performance Data

	SW155	SW159	SW203
Configuration	Double Pole	Single Pole	Single Pole with magnetic blowouts
Max. thermal current rating (100%)	200A	200A	250A
Breaking current at time constant 15ms	1500A at 80V DC	1000 at 48V DC	1500A at 120V DC
Maximum recommended DC Voltage	96	48	120
Typical voltage drop across terminals at 100A	12-15 mV (per pole)	12-15 mV	8-12 mV
Weight	.7kg	.55kg	.8kg

SW203 and SW203L are polarity conscious due to the permanent magnet blowouts fitted. Please observe the polarity signs on these switches.

As these Panic Buttons are safety devices it is recommended that they are operated at least once a month to ensure that they are functioning correctly. Periodic oiling and inspection of the latching mechanism is also recommended.

ALBRIGHT (ENGINEERS) LIMITED ALBRIGHT INTERNATIONAL LIMITED

Head Office and Factory:

125 Red Lion Road
Tolworth, Surbiton, Surrey KT6 7QS
England

Tel: 01-390 5357 Telex: 928588
Telefax: 01-390 1927

Factory also at:

Evingar Trading Estate
Whitchurch
Hants. RG28 7BB
Tel: 025 682 3060