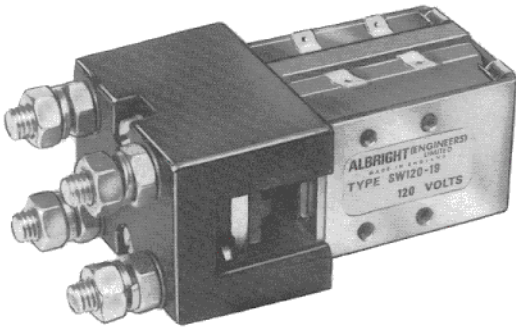
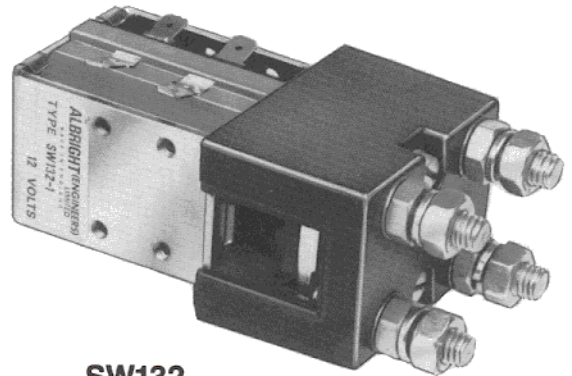




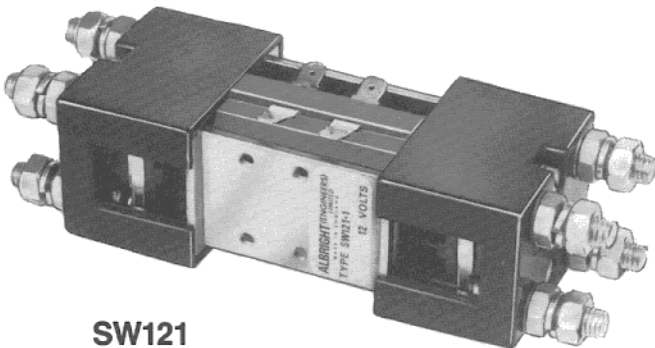
SW120, SW121, SW122 AND SW132 DOUBLE POLE D.C. CONTACTORS



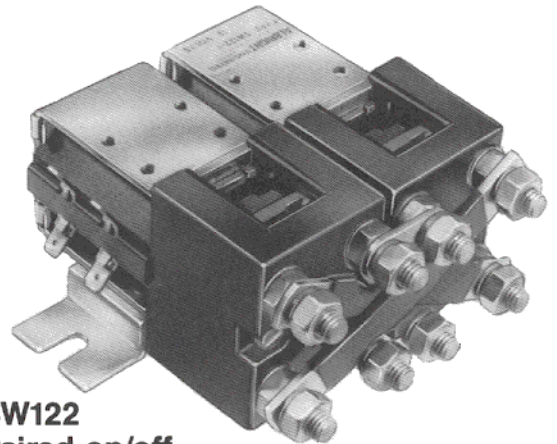
SW120
On/off
normally open



SW132
On/off
normally closed



SW121
Changeover



SW122
Paired on/off
normally open

CONTACTORS IN THE SERIES

SW120	DOUBLE POLE ON/OFF Normally open
SW121	DOUBLE POLE CHANGEOVER
SW122	PAIRED DOUBLE POLE ON/OFF Normally open (for motor reversing)
SW132	DOUBLE POLE ON/OFF Normally closed

UNIQUE RANGE

These contactors have been designed for direct current loads.

They have double breaking main contacts with silver alloy contact tips which are weld resistant, hard wearing and have excellent conductivity.

SPECIAL VERSIONS

Two special versions, SW121E and SW132E, are designed for mains failure changeover duty. These contactors are fitted with economy

resistors and are intended for continuous energisation with minimum coil power consumption.

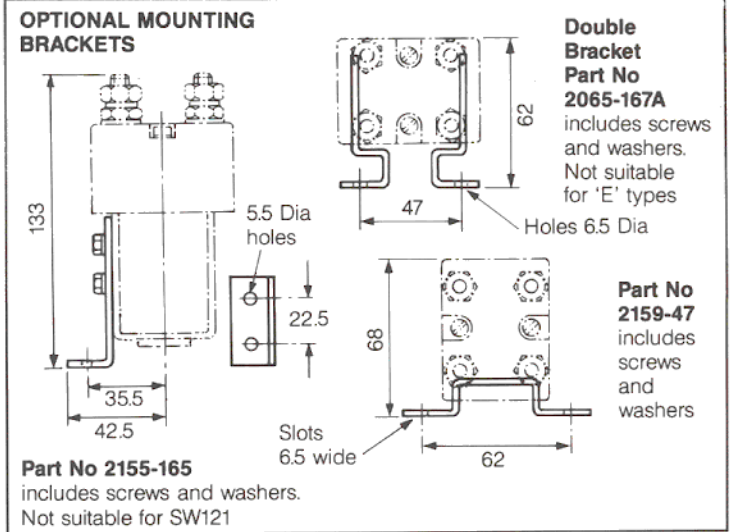
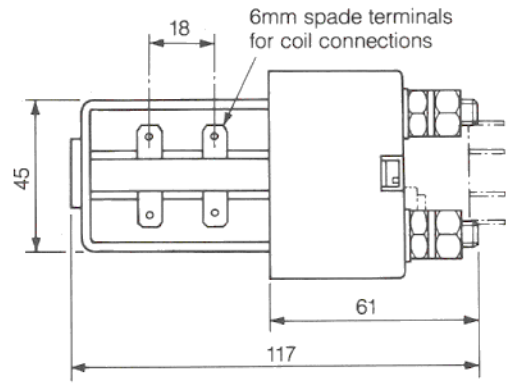
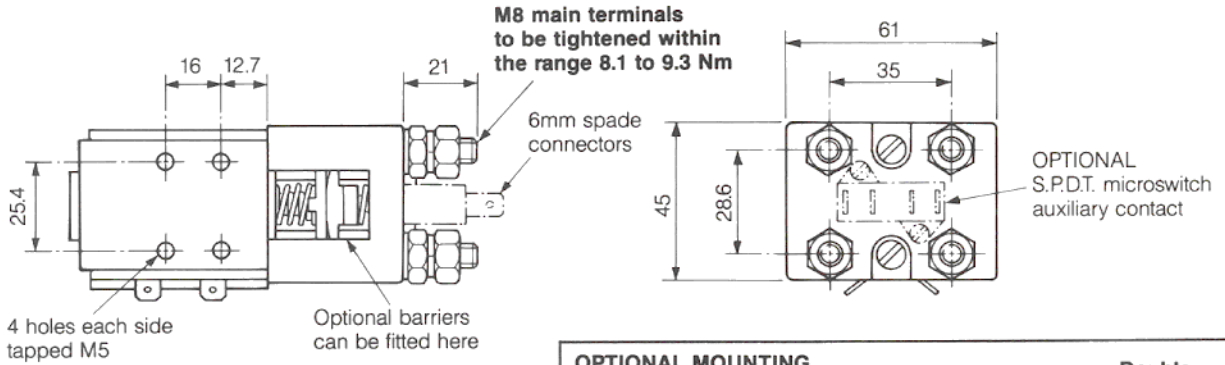
ALTERNATING CURRENTS

These contactors are not polarity sensitive thus they can be used for switching A.C. currents.

COMPACT SIZE

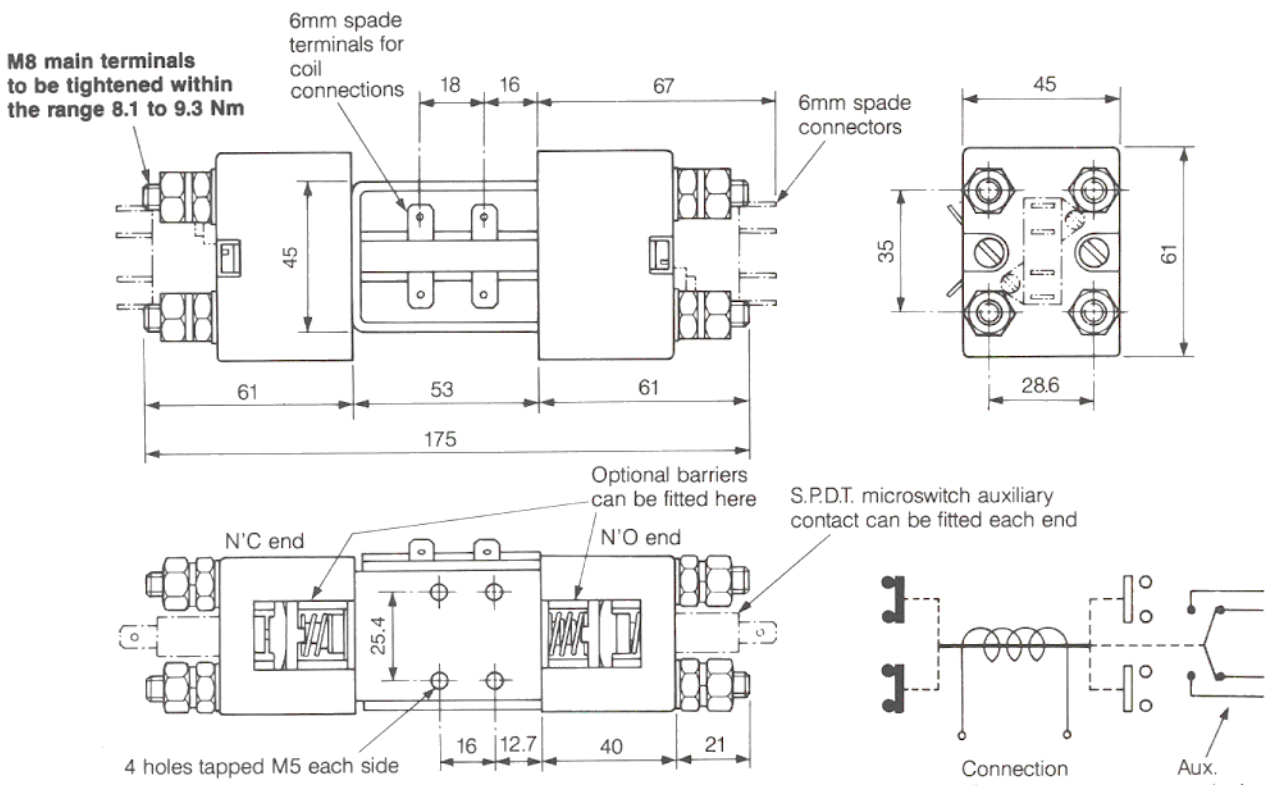
The contactors are compact in size and are fully serviceable and a full range of spare parts are available.

Continued on page 3



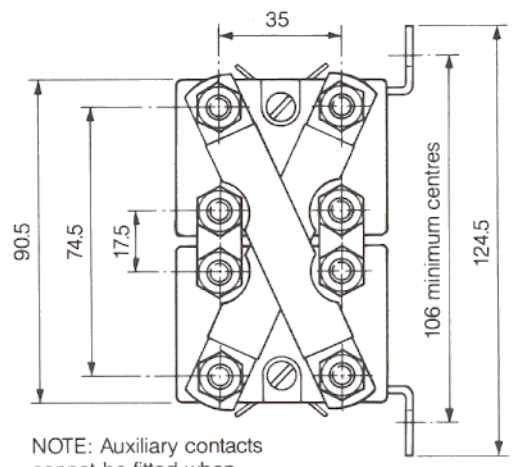
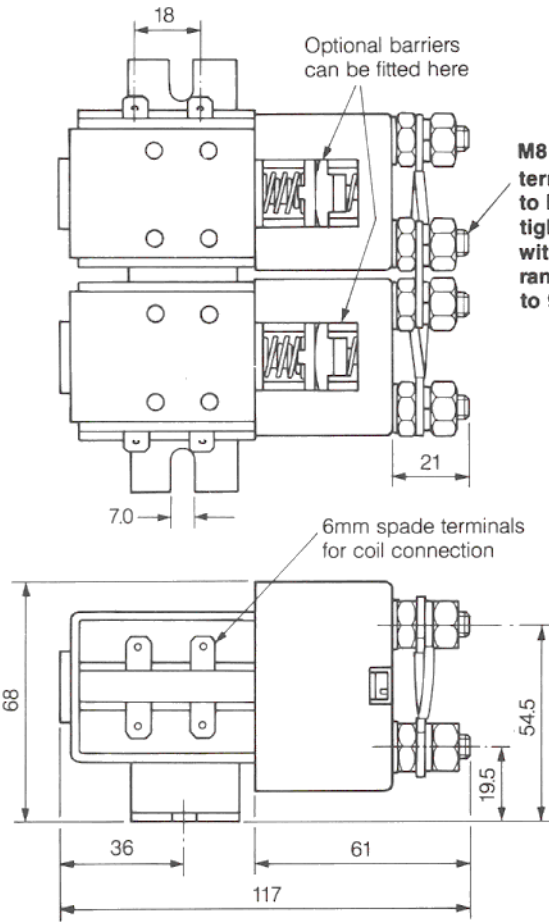
All dimensions in mm

SW120 AND SW132

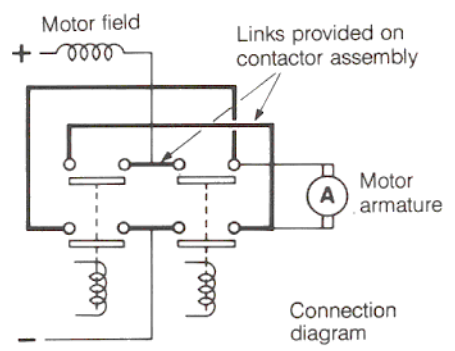


All dimensions in mm

SW121



NOTE: Auxiliary contacts cannot be fitted when links are used



Connection diagram

NOTE: Coil suppression such as a diode which delays drop-out times should not be used with this assembly.

SW122 WITH INTEGRAL BRACKET AND LINKS

COIL TERMINALS

Coil connections are by means of 6mm spade terminals and two are supplied per terminal.

EASY INSTALLATION

Mounting is by means of 5mm tapped holes in the switch frame together with a range of mounting brackets complete with screws and washers.

Contactors type SW122 is supplied as an assembly which includes a mounting bracket as a standard feature and includes copper links across the main terminals.

The contactors can be mounted either horizontally or vertically. If mounted vertically the normally open main terminals should point

upwards and the normally closed terminals should point downwards.

PROTECTION

Optional barriers can be fitted into the contact housings to protect against environmental dust etc.

OPERATING COILS

Coil voltages ranging from 6 to 240 are available and these are wound for D.C. operation; however, coils can be fitted with a bridge rectifier for use from A.C. supplies.

Coils are normally wound for intermittent duty (up to 70% 'on' time) but continuous duty versions (100%) are also available.

Pull-in voltages are approximately 60% and 66% of the rated voltage

for intermittent and continuously rated types respectively. Drop-out voltage is nominally 10% of the rated voltage.

Variations from these pull-in and drop-out figures can be engineered to suit particular applications.

AUXILIARY CONTACTS

A double circuit normally open, normally closed microswitch can be fitted and it has a D.C. resistive rating of:
 5A @ 24V
 3A @ 36V
 0.5A @ 250A.

The suffix 'A' should be added to the type number when auxiliary contacts are required, for example SW120A.

Note: Auxiliary contacts cannot be fitted to the SW122 type.

PERFORMANCE DATA

Thermal current rating (100%):

Normally open contacts (all types)	125 Amperes
Normally closed contacts (standard types)	100 Amperes
Normally closed contacts ("E" types)	125 Amperes

Intermittent current ratings for all contactors:

30% duty	210 Amperes
40% duty	190 Amperes
50% duty	170 Amperes
60% duty	150 Amperes
70% duty	140 Amperes

Typical fault current which can be ruptured (5ms time constant):

All switches	1000 Amperes at 80V D.C.
--------------	--------------------------

Typical voltage drop across contacts:

All switches	40mV per 100 Amperes per pole
--------------	-------------------------------

Typical coil power dissipation:

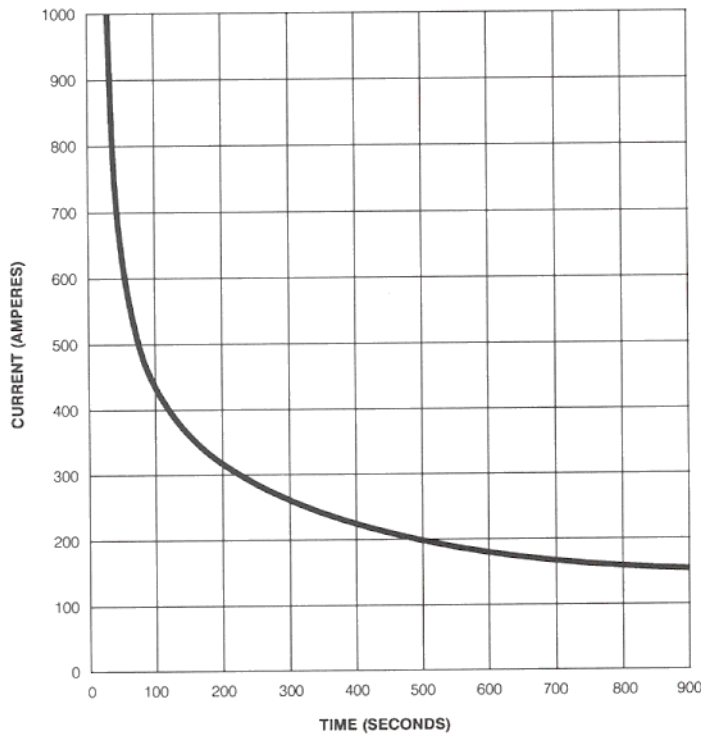
Intermittently rated types	15-25 Watts
Continuously rated types	7-12 Watts
"E" types	3-5 Watts

Mechanical life:

Greater than 3 million operations

All the performance data figures should be used as a guide only. Alternative ratings may be considered according to applications.

CONTACT PERFORMANCE (Intermittent ratings)



ALBRIGHT INTERNATIONAL LTD
 ALBRIGHT (Engineers) Ltd
 125 RED LION ROAD · SURBITON
 SURREY KT6 7QS · ENGLAND
 TELEPHONE: 44 (0)208 390 5357
 FACSIMILE: 44 (0)208 390 1927
 WEBSITE: www.albright.co.uk

