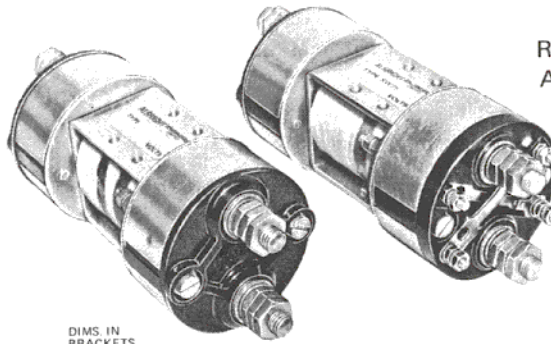


D.C. SOLENOID SWITCH TYPES SW 65A AND SW 75

SW65A — CHANGEOVER
 SW75 — CHANGEOVER WITH
 5 AMPERE AUXILIARY CONTACTS

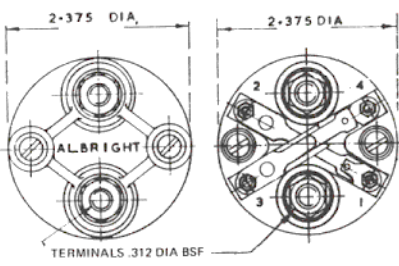
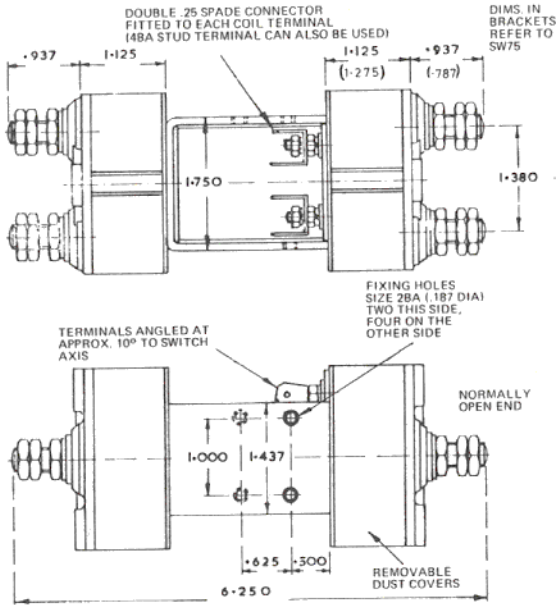
WEIGHTS

SW65A — 2 lbs (.91 Kg)
 SW75 — 2.1 lbs (.95 Kg)



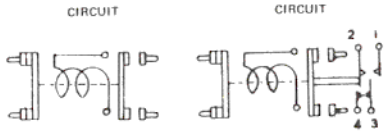
RECOMMENDED RATINGS
 At 24 volts D.C.
 100 amperes continuous
 150 amperes intermittent

Other ratings according to application and voltage.



SW65A

SW75



METRIC EQUIVALENTS

Inches	mm
6.250	158.7
2.375	60.3
1.750	44.6
1.437	36.5
1.380	35.0
1.275	32.4
1.125	28.6
1.000	25.4
.937	23.8
.787	20.1
.625	15.9
.500	12.7
.312	8.0
.187	4.8
.141	3.3

SWITCH CAN BE MOUNTED IN ANY POSITION, BUT IF VERTICAL, NORMALLY OPEN END SHOULD BE AT THE TOP. TWO FIXING SCREWS ARE SUFFICIENT, LENGTH TO BE .187 PLUS PANEL THICKNESS

DIMENSIONS IN INCHES

These single pole, change-over solenoid switches have double breaking main contacts and are suitable, when used in pairs, for reversing either series or shunt wound motors.

The switches, which are fully tropicalised, are also suitable for use as isolators to prevent two circuits being operated simultaneously.

The operating coils can be wound for voltages from 6 to 240 and those for voltages of 100 and above are vacuum impregnated. Continuously rated windings are available if required.

Silver Tungsten contacts are used as standard but other materials such as Silver Cadmium Oxide or Pure Silver are available as alternatives.

The Auxiliary Contacts fitted to the SW.75, which are rated at 5 Amperes at 24 V.D.C. are available in the following configurations: one normally open and one normally closed, or two normally open or two normally closed.