

Application	Interrupted	Uninterrupted
Thermal Current Rating (I _{th})	250A	350A
Intermittent Current Rating:		
30% Duty	450A	640A
40% Duty	395A	555A
50% Duty	355A	495A
60% Duty	325A	450A
70% Duty	300A	420A
Rated Fault Current Breaking Capacity (I _{cn}) 5ms Time Constant: (in accordance with UL583*)		
SU280	1500A at 48V D.C.	
SU280B	1500A at 80V D.C.	
Rated Fault Current Breaking Capacity (I _{cn}) Resistive Load: (in accordance with UL508*)		
SU280	350A at 60V D.C.	
SU280B	350A at 96V D.C.	
Maximum Recommended Contact Voltages (U _c):		
SU280	48V D.C.	60V D.C.
SU280B		96V D.C.
Typical Voltage Drop per pole across New Contacts at 100A		40mV
Mechanical M.T.B.F		>3 x 10 ⁶
Coil Voltage Available (Us) (Rectifier board required for A.C.)		From 6 to 240V A.C./D.C.
Coil Power Dissipation:		
Highly Intermittent Rated Types		40 - 50 Watts
Intermittently Rated types		30 - 40 Watts
Prolonged Rated Types		15 - 30 Watts
Continuously Rated Types		10 - 15 Watts
Maximum Pull-In Voltage (Coil at 20° C) Guideline:		
Highly Intermittent Rated types (Max 25% Duty Cycle)		60% U _s
Intermittently Rated types (Max 70% Duty Cycle)		60% U _s
Prolonged Operation (Max 90% Duty Cycle)		60% U _s
Continuously Rated Types (100% Duty Cycle)		66% U _s
Drop-Out Voltage Range		10 - 25% U _s
Typical Pull-In Time		30ms
Typical Drop-Out Time (N/O Contacts to Open):		
Without Suppression		8ms
With Diode Suppression		60ms
With Diode and Resistor (Subject to resistance value)		25ms
Typical Contact Bounce Period		3ms
Operating Ambient Temperature		-40°C to +60°C
Guideline Contactor Weight:		
SU280		755 gms
With Auxiliary		+ 20 gms
With Blowouts		+ 50 gms
Auxiliary Details		
Auxiliary Thermal Current Rating		5A
Auxiliary Contact Switching Capabilities (Resistive Load):		
SU280A	SU280C	
		5A at 24V D.C.
		2A at 48V D.C.
		0.5A at 240V D.C.
Advised Connection Sizes for Maximum Continuous Current		
Copper busbar		228mm ² [0.353 inch ²]
Cable		Rated suitable for Application

Key: ▾ = Interrupted ▴ = Uninterrupted

Note: Where applicable values shown are at 20° C

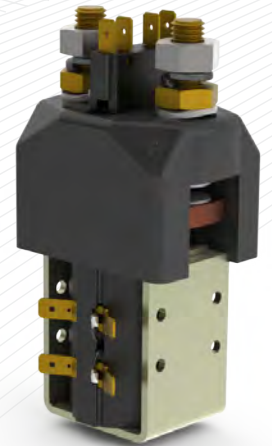
* Please check our web site for product UL status

- Performance data provided should be used as a guide only. Some de-rating or variation from figures may be necessary according to application.
- Thermal current ratings stated are dependant upon the size of conductor being used
- For further technical advice email: technical@albrightinternational.com
- Albright reserve the right to change data without prior notice

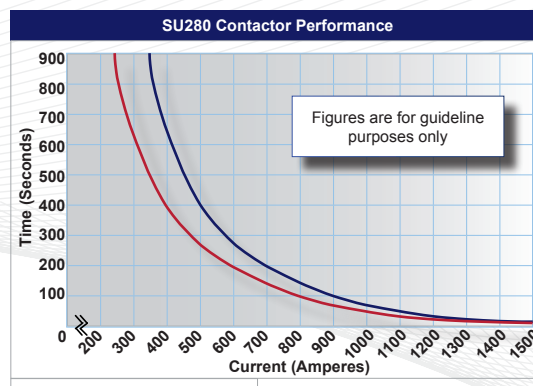
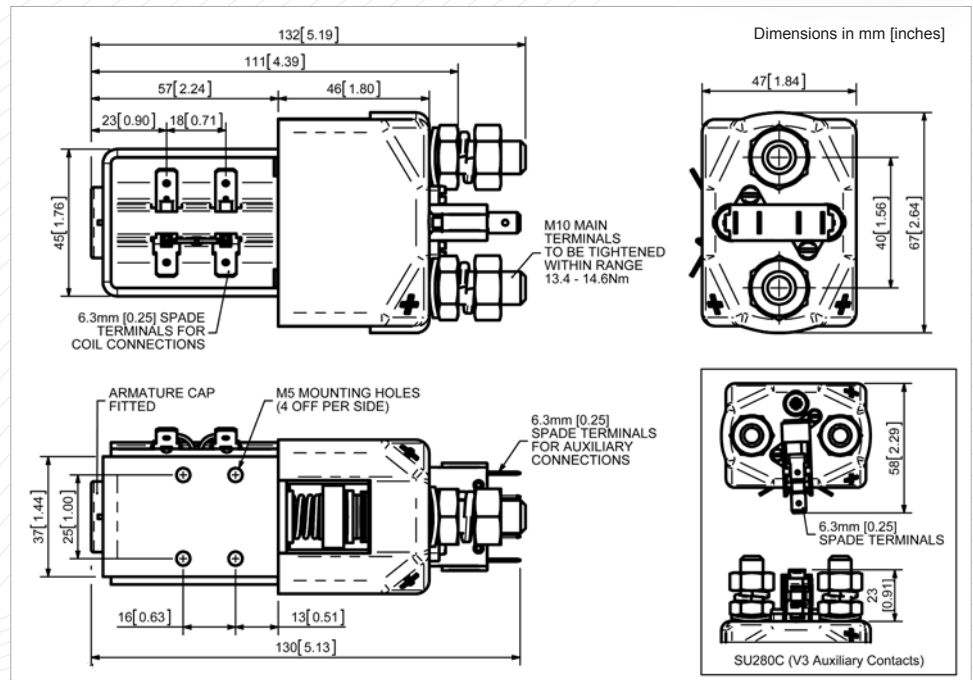
The SU280 has been designed for direct current loads, particularly motors as used on electronic vehicles such as industrial trucks, airport tractors and such like.

- Interrupted** current - opening and closing on load with frequent switching (results in increased contact resistance).
- Uninterrupted** current - no or infrequent load switching requirements (maintains a lower contact resistance).

The contactors have double breaking main contacts with silver alloy tips, which are weld resistant, hard wearing and have excellent conductivity. They are easy to install, with M5 tapped holes in the switch frame together with a range of mounting brackets. Mounting can be vertical or horizontal, when vertical the M10 contact studs should point upwards.



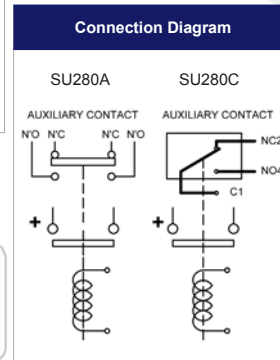
SU280A



Contact Performance Key:

— Interrupted Current

— Uninterrupted Current



SU280 Available Options		
General		Suffix
Auxiliary Contacts	<input type="radio"/>	A
Auxiliary Contacts - V3	<input type="radio"/>	C
Magnetic Blowouts†	<input type="radio"/>	B
Magnetic Blowouts - High Powered†	<input type="radio"/>	B
Armature Cap	<input checked="" type="radio"/>	
Mounting Brackets	<input type="radio"/>	
Magnetic Latching† (Not fail safe)	<input type="radio"/>	M
Closed Contact Housing	<input type="radio"/>	
Environmentally Protected IP66 (see SU280P Catalogue Sheet)	<input type="radio"/>	P
EE Type (Steel Shroud)	<input checked="" type="radio"/>	
Contacts		
Large Tips	<input checked="" type="radio"/>	
Textured Tips	<input type="radio"/>	T
Silver Plating	<input checked="" type="radio"/>	
Coil		
AC Rectifier Board (Fitted)	<input type="radio"/>	
Coil Suppression†	<input type="radio"/>	
Flying Leads	<input type="radio"/>	F
Manual Override Operation	<input checked="" type="radio"/>	
M4 Stud Terminals	<input checked="" type="radio"/>	
M5 Terminal Board	<input type="radio"/>	
Vacuum Impregnation	<input type="radio"/>	
Key: <input type="radio"/> Optional <input type="radio"/> Standard <input checked="" type="radio"/> Not Available <input checked="" type="radio"/> X		

† Connections become polarity sensitive