



80-724-0006-00

80-724-0006-01

Caution:

This product has been designed to be used with BEP Marines 7 series range of Battery Switches (722, 701MD, 720MD). For use as a remote key switch without a BEP 7 series product, please connect a resistor in series with the positive cable of the LED. Use 6800 ohms for 12V and 15000 ohms for 24V systems.

WWW.BEPMARINE.COM



80-724-0006-00

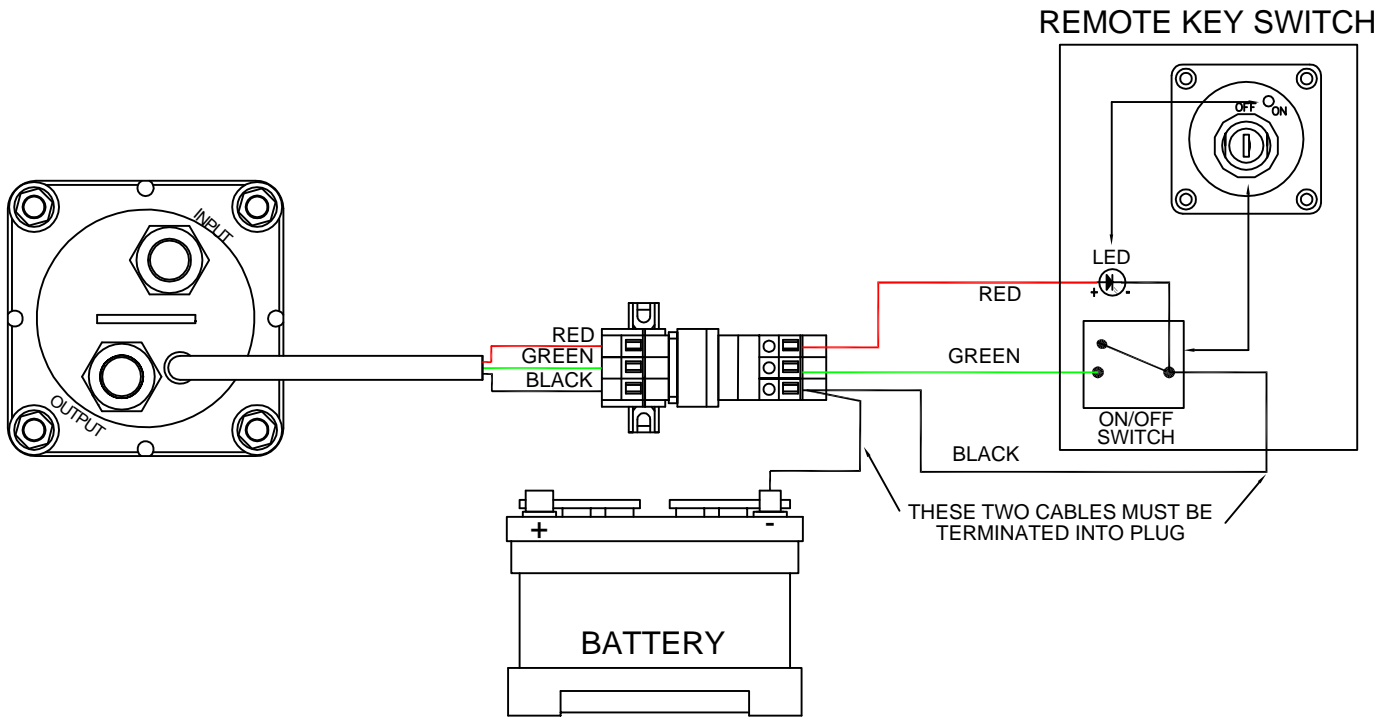
80-724-0006-01

Caution:

This product has been designed to be used with BEP Marines 7 series range of Battery Switches (722, 701MD, 720MD). For use as a remote key switch without a BEP 7 series product, please connect a resistor in series with the positive cable of the LED. Use 6800 ohms for 12V and 15000 ohms for 24V systems.

WWW.BEPMARINE.COM

WIRING DIAGRAM FOR 80-724-0006-00, 80724-0006-01



WIRING DIAGRAM FOR 80-724-0006-00, 80724-0006-01

