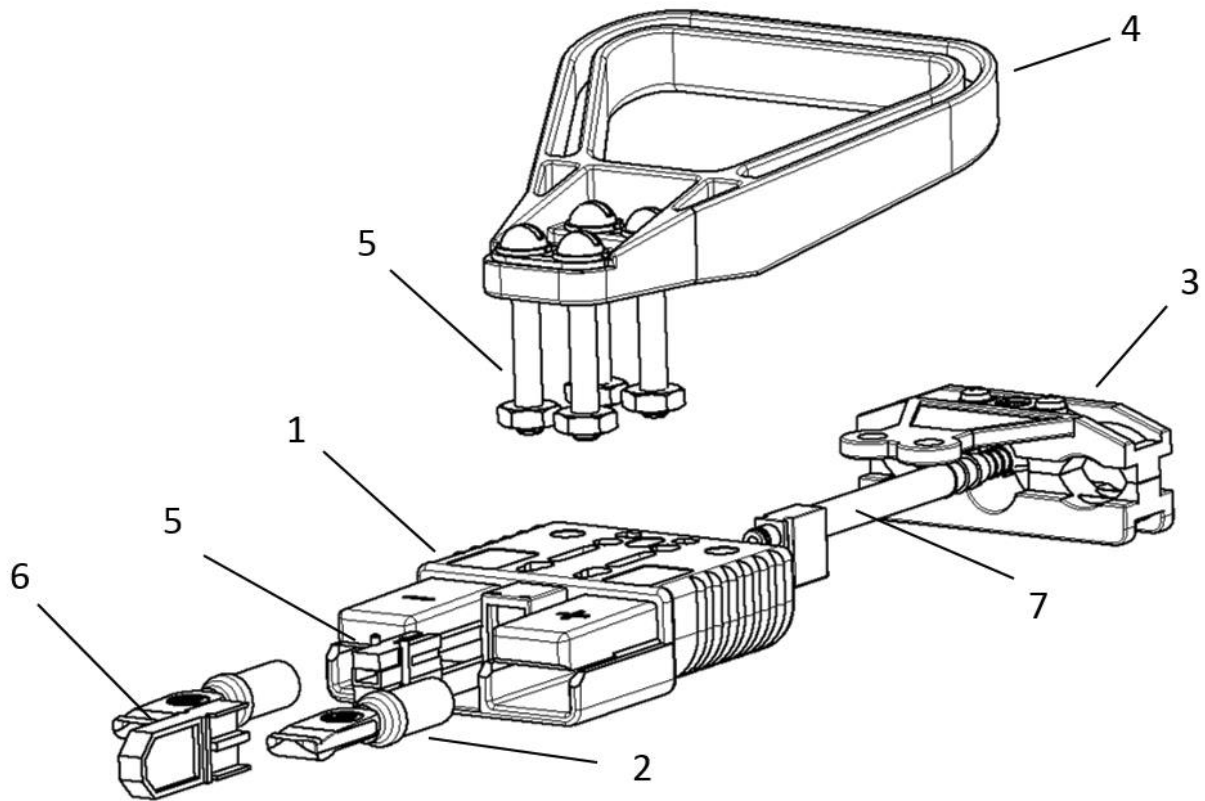


1. BASIC STRUCTURE / PARTNUMBER



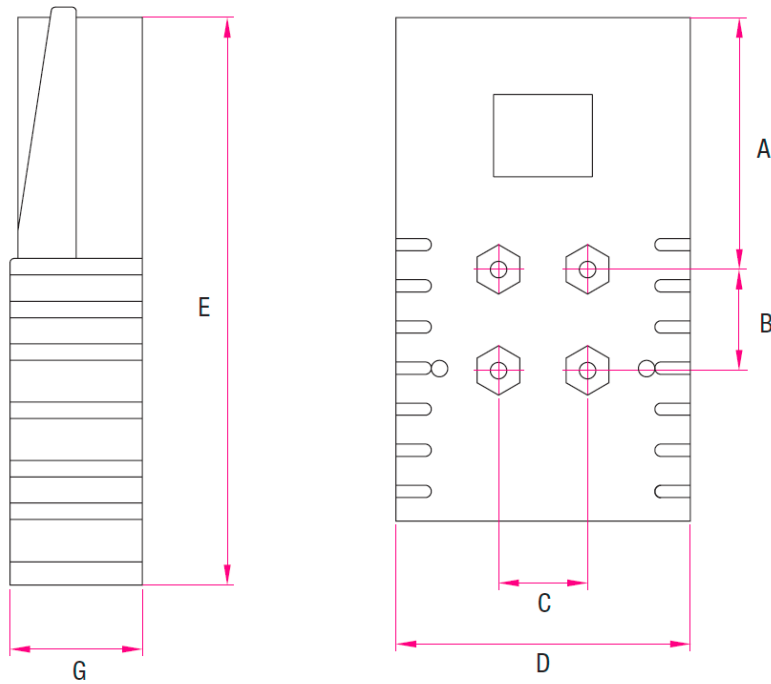
SRX Connector 350

COLOUR	CODING	SRX-CONNECTOR 2-POLE complete with housing and without auxiliary contacts	SRX-CONNECTOR 2-POLE (POS 1) complete with housing and auxiliary contacts
		AWG2/0	AWG2/0
> Yellow	12 V	111416	111417
> Orange	18 V	109285	111418
> Red	24 V	109278	109280
> Grey	36 V	109272	109273
> Blue	48 V	109274	109276
> Green	72 V	109281	109282
> Black	80V	109283	109284

Parts / accessories

POS		AWG2/0	AWG2/0
2	Main contacts	109385	109385
3	Cable clamp	109201	109201
4	Handle grey	109393	109393
4	Handle red	109411	109411
5	Handle grey with 4 screws	109393	109393
5	Handle red with 4 screws	109401	109401
6	Coding pin yellow	109252	109252
>	Handle grey, straight type	109405	109405
>	Auxiliary contact set	---	109257
>	Female set	---	102732
>	Male set	---	102733

4. DRAWINGS



TYPE	A		B		C		D		E		G	
	[mm]	[inch]	[mm]	[inch]	[mm]	[inch]	[mm]	[inch]	[mm]	[inch]	[mm]	[inch]
>SRE160, SRX175	49,2	1,937	28,5	1,125	15,9	0,625	71,2	2,802	92,2	3,630	25,4	1,00
>SRE320, SRX350	61,9	2,437	28,5	1,125	15,9	0,625	85,7	3,374	125,4	4,937	33,3	1,312