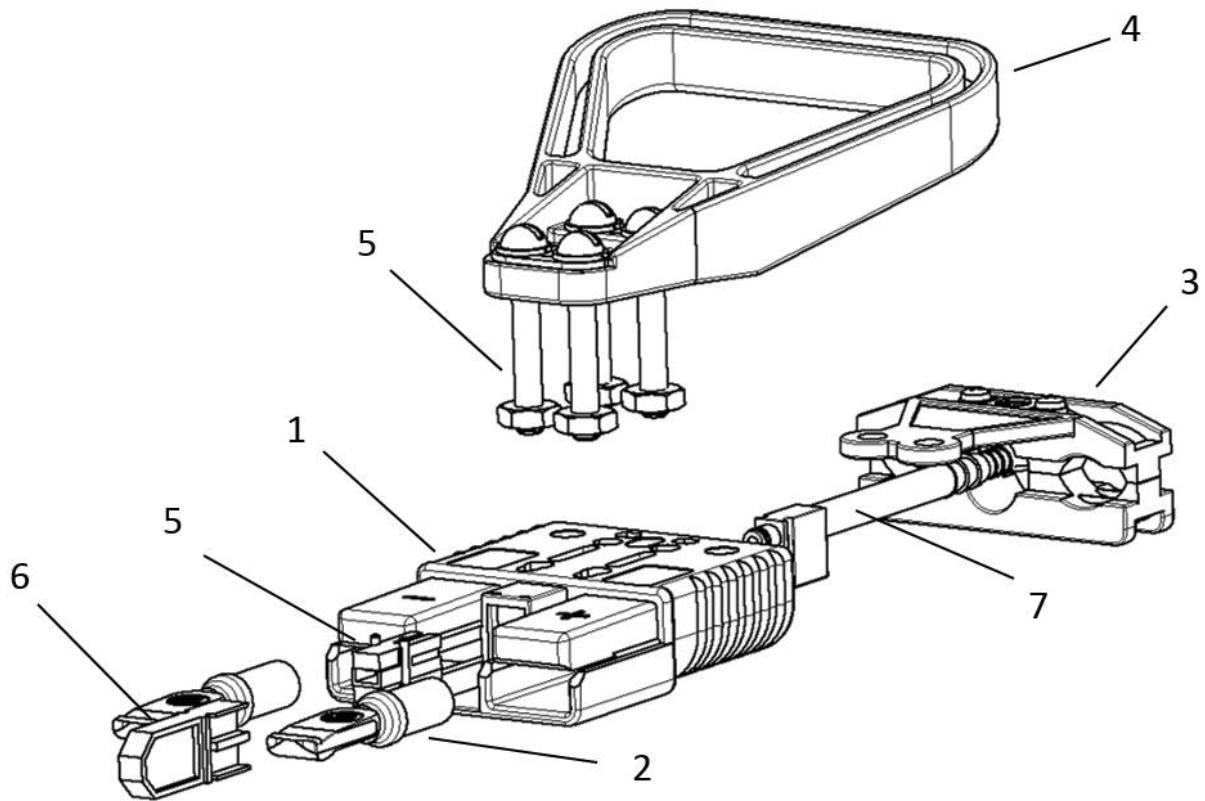


1. BASIC STRUCTURE / PARTNUMBER



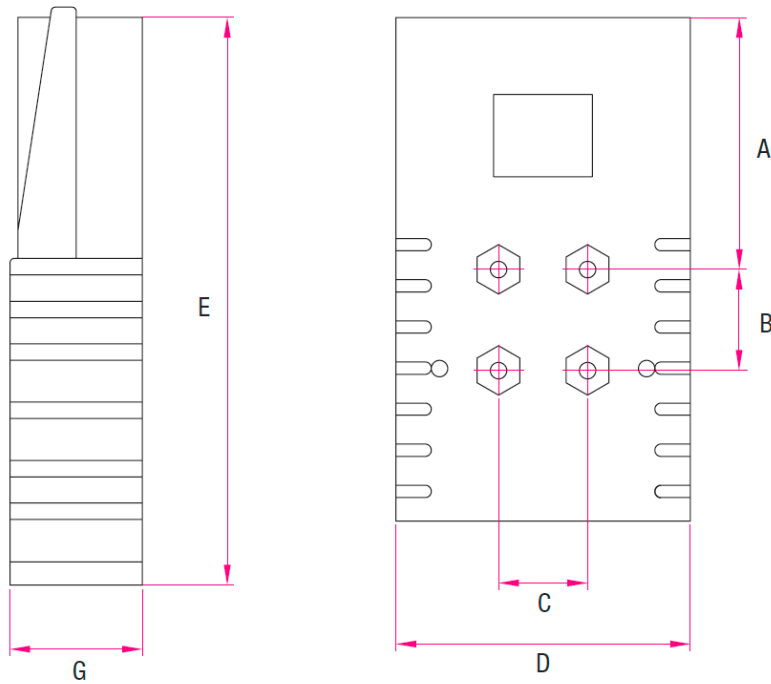
SRX Connector 175

| COLOUR | CODING | SRX-CONNECTOR 2-POLE | SRX-CONNECTOR 2-POLE (POS 1) |
|----------|--------|--|--|
| | | complete with housing and without auxiliary contacts | complete with housing and auxiliary contacts |
| | | AWG1/0 | AWG1/0 |
| > Yellow | 12 V | 109248 | 109250 |
| > Orange | 18 V | 109245 | 111414 |
| > Red | 24 V | 109250 | 109253 |
| > Grey | 36 V | 109237 | 109239 |
| > Blue | 48 V | 109241 | 109243 |
| > Green | 72 V | 109259 | 111415 |

Parts / accessories

| POS | | AWG1/0 | AWG1/0 |
|-----|----------------------------|--------|--------|
| 2 | Main contacts | 109374 | 109374 |
| 3 | Cable clamp | 109201 | 109201 |
| 4 | Handle grey | 109393 | 109393 |
| 4 | Handle red | 109411 | 109411 |
| 5 | Handle grey with 4 screws | 109393 | 109393 |
| 5 | Handle red with 4 screws | 109401 | 109401 |
| 6 | Coding pin yellow | 109252 | 109252 |
| > | Handle grey, straight type | 109405 | 109405 |
| > | Auxiliary contact set | --- | 109257 |
| > | Female set | --- | 102732 |
| > | Male set | --- | 102733 |

4. DRAWINGS



| TYPE | A | | B | | C | | D | | E | | G | |
|-----------------|------|--------|------|--------|------|--------|------|--------|-------|--------|------|--------|
| | [mm] | [inch] | [mm] | [inch] | [mm] | [inch] | [mm] | [inch] | [mm] | [inch] | [mm] | [inch] |
| >SRE160, SRX175 | 49,2 | 1,937 | 28,5 | 1,125 | 15,9 | 0,625 | 71,2 | 2,802 | 92,2 | 3,630 | 25,4 | 1,00 |
| >SRE320, SRX350 | 61,9 | 2,437 | 28,5 | 1,125 | 15,9 | 0,625 | 85,7 | 3,374 | 125,4 | 4,937 | 33,3 | 1,312 |