

Class T Fuseholder Range

778-T2S-400 Class T Fuseholder, 225 - 400A

778-T2S-600 Class T Fuseholder, 450 - 600A



Modular

Class T
Fuseholders-1.5x

1.0x

0.5x

Footprint

Pro Installer Class T Fuseholders provide high-capacity fusing, with very fast response and very high interrupt ratings (Class-T 20,000 - 50,000 Amps interrupt). These are ideal for protecting today's demanding onboard power electronics technology including inverters and battery chargers. They also protect wiring from short circuits, for example as a main fuse to protect house circuits, where modern battery technologies such as Lithium Ion and AGM are capable of producing very high short circuit currents.

Specifications:

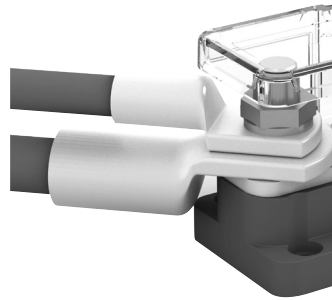
- Cable connection studs: 10mm (3/8") studs
- Fuse amperage and mounting studs:
 - 778-T2S-400: 225-400A, stud 10mm (3/8")
 - 778-T2S-600: 450-600A, stud 12mm (0.47")
- Fuse type: Class T (JJN / TJN / JLLN / A3T)
- 50 VDC
- High temperature, fibre reinforced plastic base provides strength and chemical resistance
- Clear polycarbonate cover
- Tinned CDA102 copper conductors, stainless steel studs and nuts, for longevity in the marine environment
- All threads are metric

Features:

- Modular sizing and common interconnection height: Easily linked with other Pro Installer Busbars and Fuseholders, saving installation time and space
- Compact footprint saves space
- Durable construction allows fuses to run at maximum load
- Innovative clear covers provide insulation/ protection, with “snap outs” for extra cable access as required
- Insert moulded studs offer superior mechanical strength
- Designed for the harsh marine environment
- Anti-seize lubricant applied to prevent thread galling



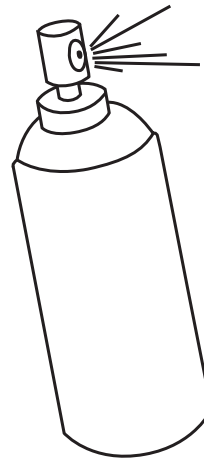
- Label recess on cover allows fitting up to ½” width (12.7mm) printed labels from handheld label printers



- Radiused ends improve cable routing options (can fit back-to-back lugs at any angle -90° to +90°)

IMPORTANT! Read before installing

- Use only “plastic safe” corrosion inhibiting sprays. Do not wipe solvents/petrochemicals onto the clear polycarbonate covers. These chemicals can affect the plastic, resulting in deteriorated properties such as opacity, and brittleness
- Ensure all cables are sized correctly for the loads they carry. Please refer to the BEP website (www.bepmarine.com) to calculate correct cable sizes
- Ensure electrical connections are correctly tightened! Loose, high power connections are capable of damaging equipment or starting fires. See torque figures on facing page, alternatively use a ring spanner of the correct size and tighten until firm

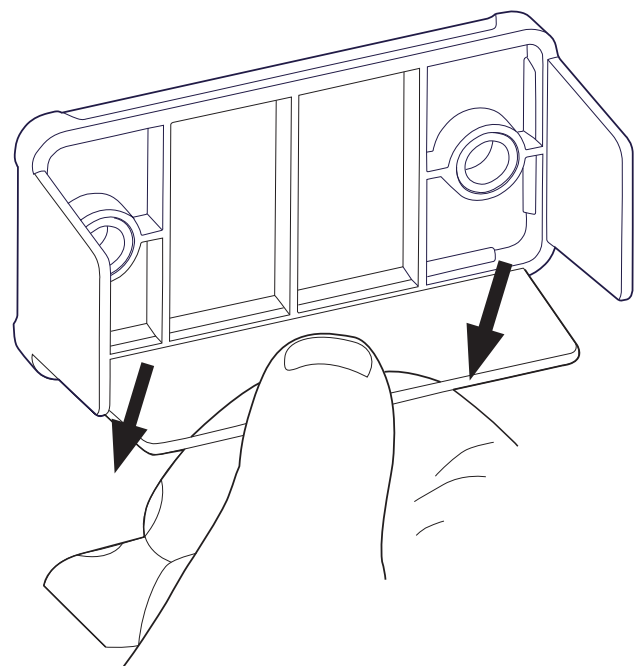
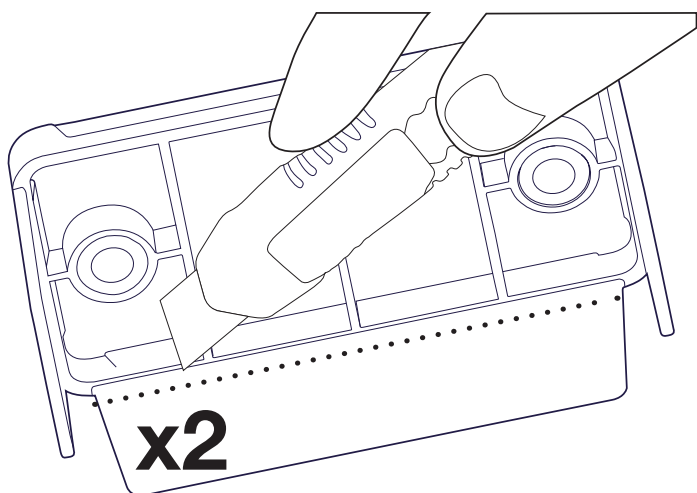
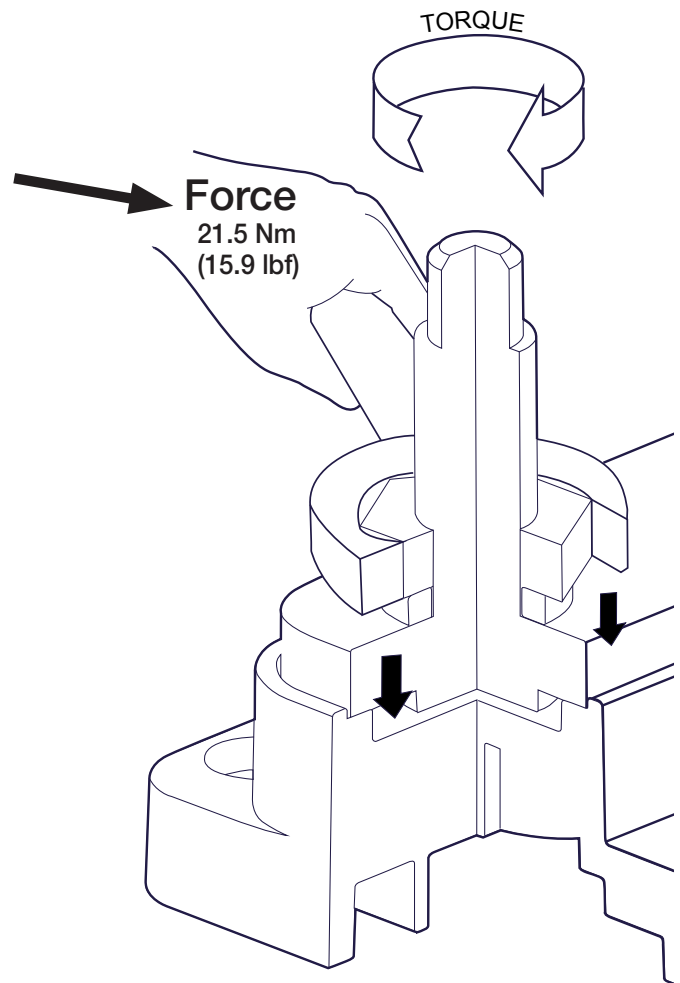
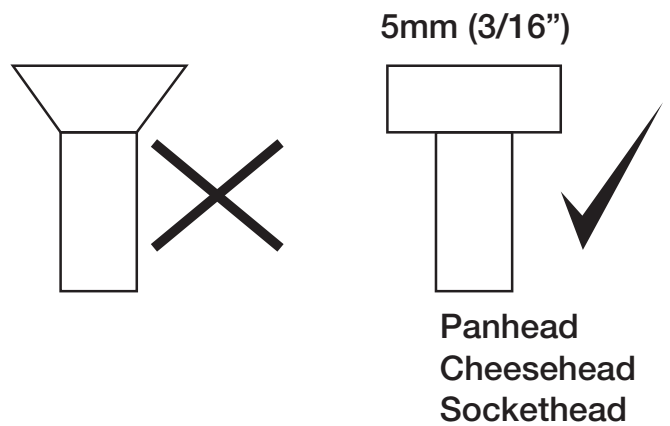


Plastic safe ✓

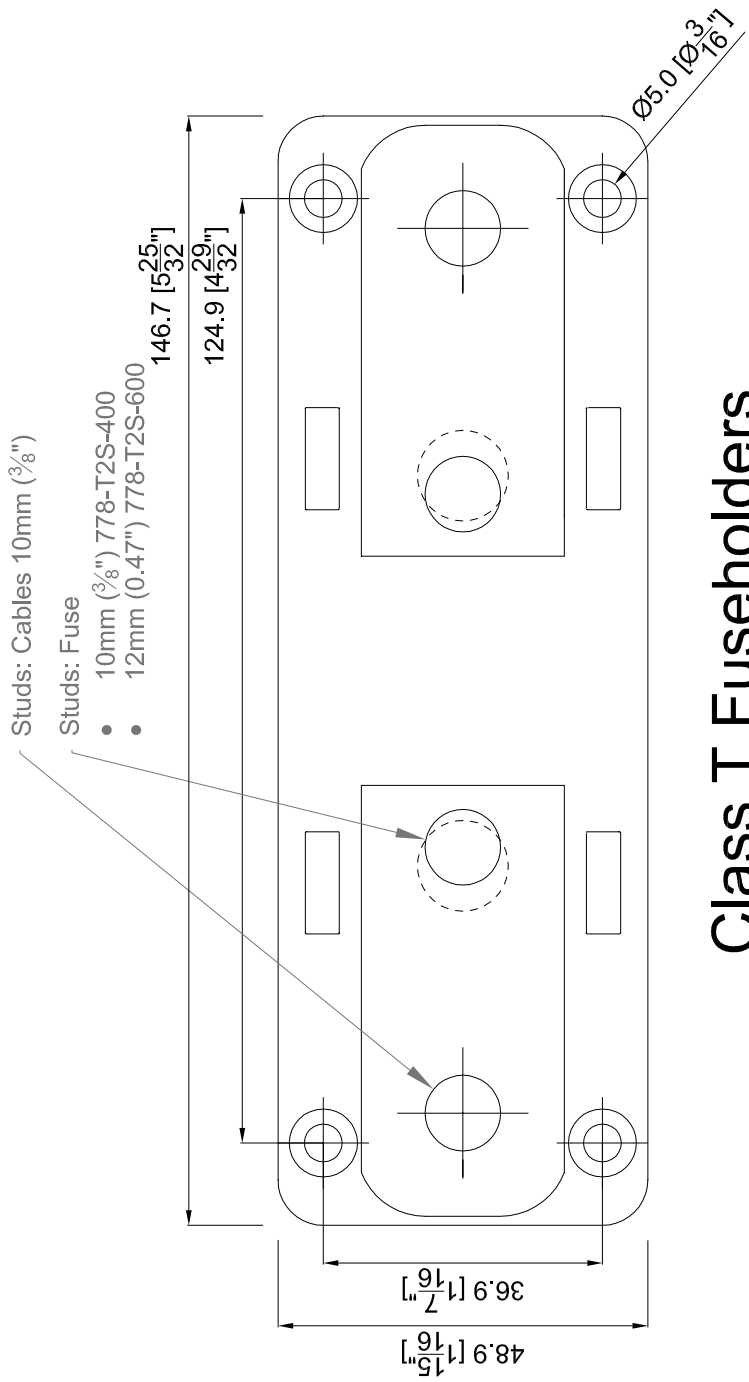
Petroleum based solvents ✗

Installation Instructions:

1. Choose mounting location in dry, interior location
2. Select screws for mounting, 5mm (3/16"). Use only pan head or similar type screws
3. Screw the fuseholder into chosen location
4. Ensure that spring washers are in place beneath cable retaining nuts
5. Recommended torques:
 - Both 10mm (3/8") and 12mm (1/2") studs: 21.5 Nm (15.9 lbf)
6. To remove snap-out sections of cover for additional cable access
 - Use a sharp knife to scratch/score twice along the snap-off line
 - BEWARE: PLEASE TAKE CARE WITH CRAFT KNIVES**
 - Then snap-off the section to be removed (bend both ways)
7. Fit cover
8. Ensure that cables are securely fastened and strain relieved as per ABYC/ISO or other applicable standards.



Mounting Template:



Class T Fuseholders

| Product | Dimensions (mm) | Dimensions (Inches) | Weight (Grams) | Weight (oz) |
|------------------------|------------------|---------------------|----------------|-------------|
| ClassT Holder 225-400A | 147 x 49 x 61 mm | 5.8 " x 1.9" x 2.4" | 351g | 12.4 oz |
| ClassT Holder 450-600A | 147 x 49 x 61 mm | 5.8 " x 1.9" x 2.4" | 382g | 13.5 oz |