

MASTERVISION MODULAR SWITCHBOARDS

panel code	C-3-BA
part number	07-04-03010



CAUTION

1. Lethal voltages exist on your vessel. Make sure all shore power, onboard generating sources and batteries are disconnected before beginning installation of your electrical panel.
2. AC modules will have lethal voltages on the bus bars and terminals. The coating on these bars is for identification only and should not be relied on as a insulator. Additional safety enclosures may be required in some installations.
3. Make sure all AC modules are bonded to the ship's AC ground bus. When grouping modules together to form your panel, a single ground may be used. Use a resistance meter to verify ground to all modules.

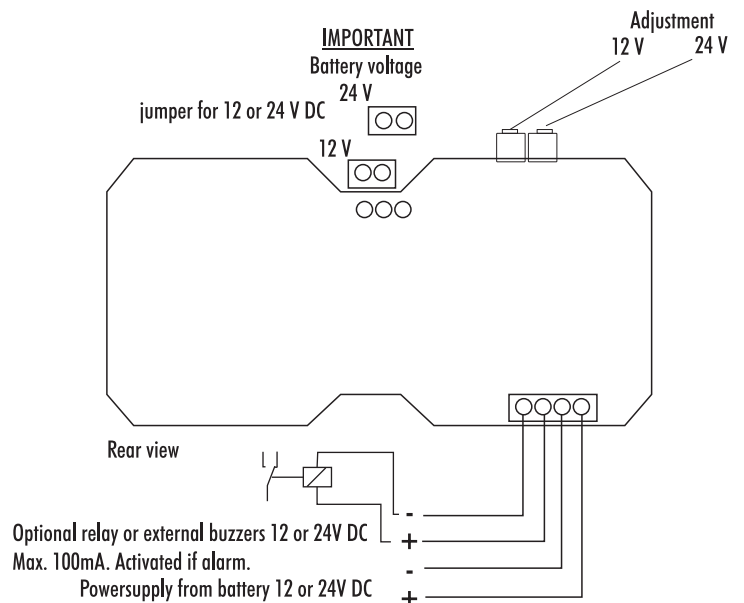
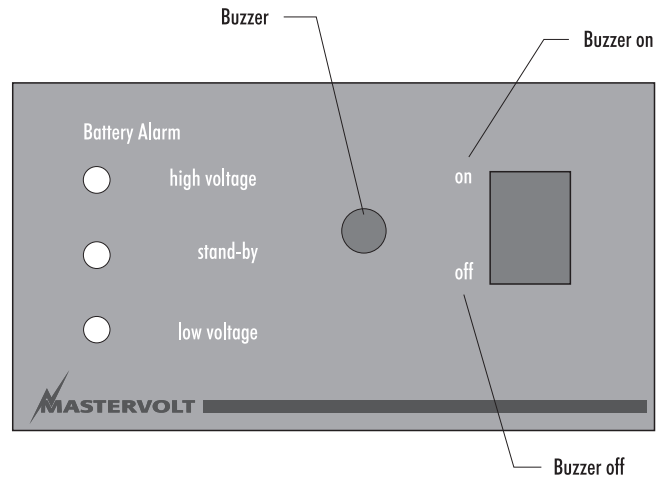
SPECIFICATIONS

description:	Battery alarm high & low voltage control by led & buzzer
panel voltage:	12 or 24 V DC
dimensions panel (wxh):	120 x 65 mm
panel depth:	40 mm

INSTALLATION INSTRUCTIONS

Install the panel

To install an individual module into a frame or bulkhead, secure the module in place using the M4 screws and O-rings supplied. Individual modules can be assembled into a single larger electrical panel using connector blocks (see drawing on the back of this sheet). Do not use connector blocks at the outside top or bottom edge. This is where the complete panel will be fastened to its frame or bulkhead.



Battery alarm (ADJUSTMENT)

24V - > 29,0 V high voltage (alarm)
< 20,7 V low voltage (alarm)

12 V - > 14,5 V high voltage (alarm)
< 10,3 V low voltage (alarm)

These products fully comply to the latest CE norms in force from Januari 1st 1996 and are produced to ISO 9001 standards.

