

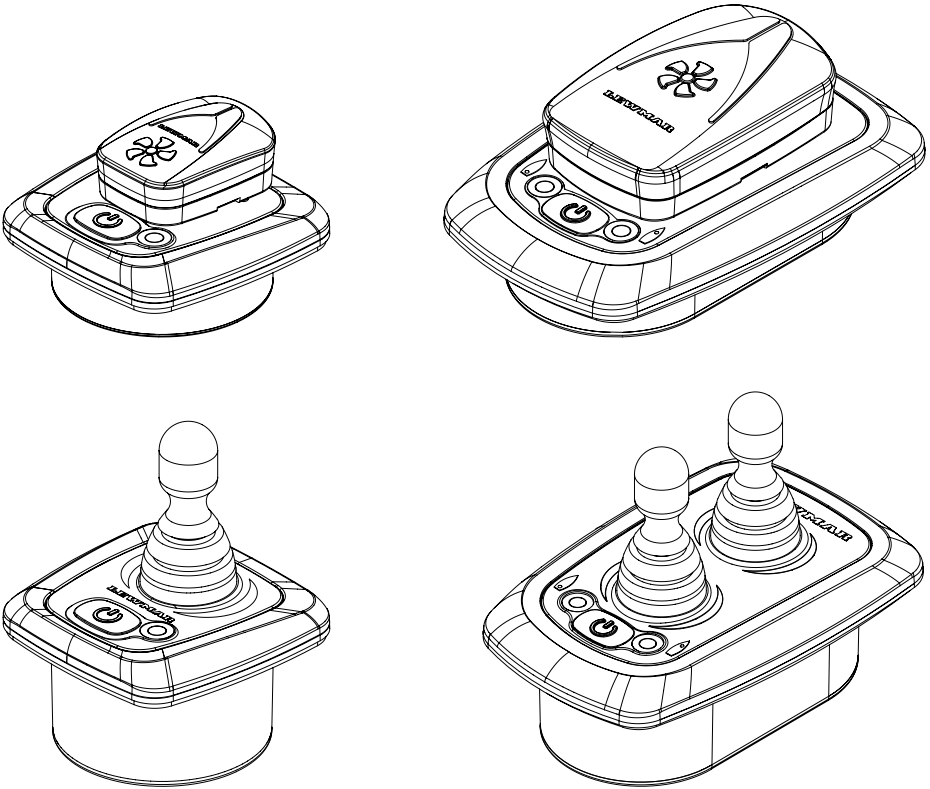
## Thruster control assemblies ref 559232 iss.1

589222 - Dual Pad Thruster Control Assy

589223 - Single Pad Thruster Control Assy

589267 - Dual Joystick Thruster Control Assy

589268 - Single Joystick Thruster Control Assy



---

## 1- Introduction

Dear Customer,

Thank you for choosing Lewmar. Lewmar products are world renowned for their quality, technical innovation and proven performance. With a Lewmar product you will be provided with many years of outstanding service.

### Product support

Lewmar products are supported by a worldwide network of distributors and Authorised Service Representatives. If you encounter any difficulties with this product, please contact your national distributor, or your local Lewmar dealer. Details are available at: [www.lewmar.com](http://www.lewmar.com)

### CE Approvals

For CE approval certificates contact Lewmar.

### Important information about this manual

Throughout this manual, you will see safety and product damage warnings. You must follow these warnings carefully to avoid possible injury or damage.

## 2- Safety Notice

 WARNING!

### General

Please ensure that you thoroughly understand the operation and safety requirements of the thruster before commencing the installation. Only persons who are completely familiar with the controls and those who have been fully made aware of the correct use of the thruster should be allowed to use it. If there is any doubt of how to install or operate this unit please seek advice from a suitably qualified engineer.

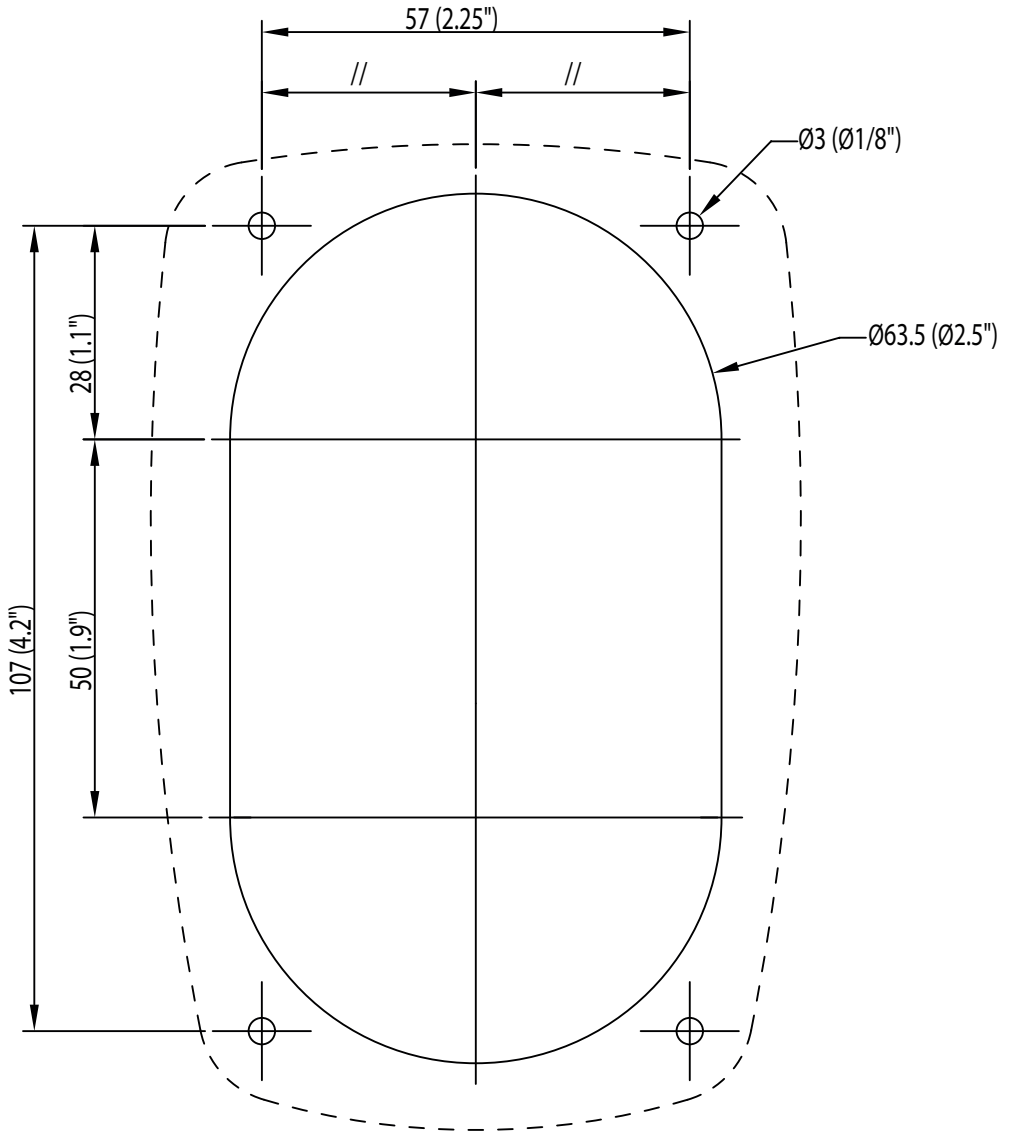
- ▶ Please ensure that you thoroughly understand the operation and safety requirements of the thruster.
- ▶ Your thruster should not be operated close to swimmers, as a powerful suction of water is generated when in use.

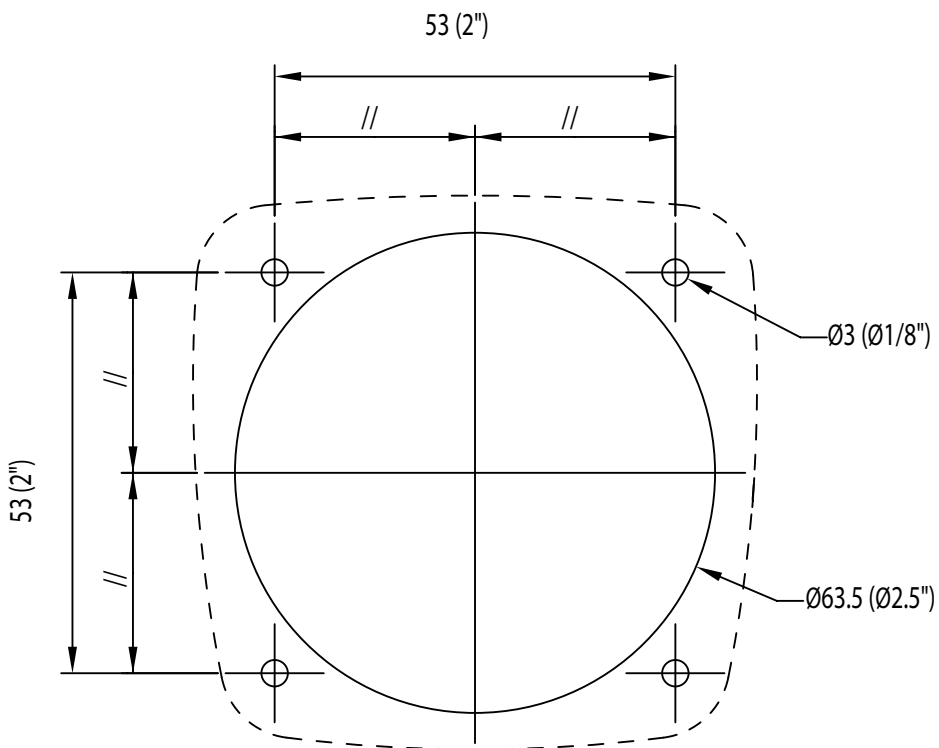
### Electrical

- ▶ Make sure you have switched off the power before you start installing this product.
- ▶ If in doubt about installing electrical equipment please seek advice from a suitably qualified electrical engineer.

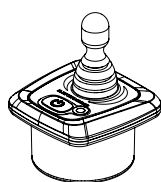
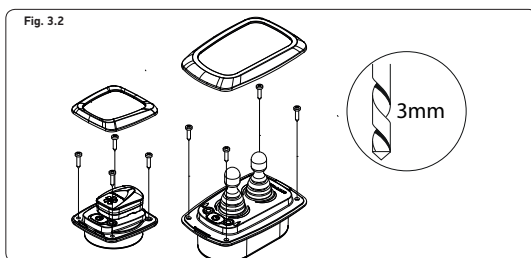
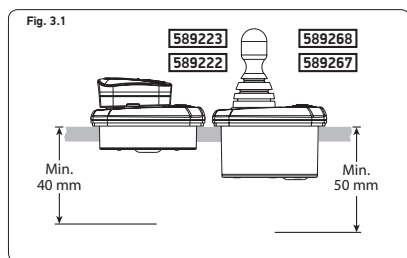
### 3 - Installing control panel - all models

A 64mm (2½") hole saw is required. Ensure there is sufficient depth for the control panel and access for the switch leads and plug (see cutting templates).





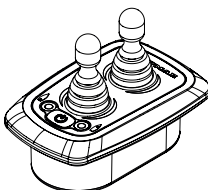
The panel has a pre-installed seal and is secured with the 4x screws included in the packaging ( See Fig 3.2)



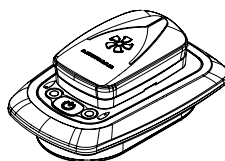
589268



589223



589267

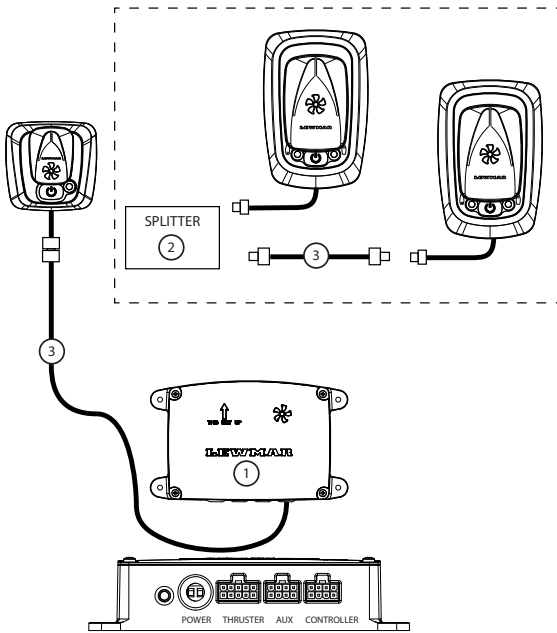


589222

## 4 - Wiring Diagram

If the thruster operates in an opposite direction to the control panel, swap the wire connections on the contactor coils.

NOTE: Automatic switch (if fitted). Main power is switched on when thrusting.



①

Part Number	Description
589274	GEN2 ICU TT
589296	GEN2 ICU RT

②

Part Number	Description
589800	GEN2 Y LOOM MX

③

Part Number	Description
589801	GEN2 PANEL/AUX LOOM 2M MX
589802	GEN2 PANEL/AUX LOOM 7M MX
589803	GEN2 PANEL/AUX LOOM 10MMX
589804	GEN2 PANEL/AUX LOOM 18M MX
589805	GEN2 PANEL/AUX LOOM 22M MX

### Blackbox System Convertors

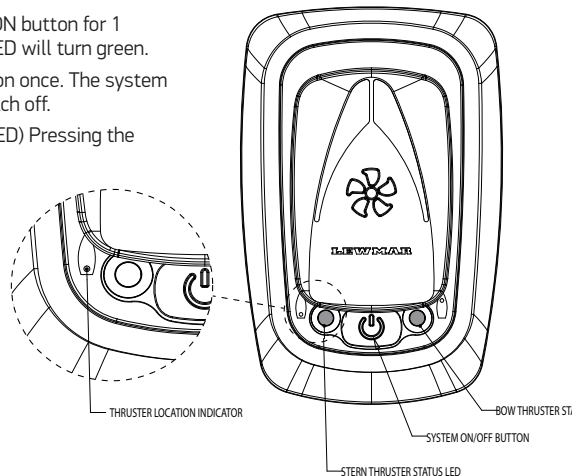
Part Number	Description
589842	Blue Box Converter MX
589843	Blue Box Converter DT

1, 2 & 3 not required if upgrading from old black box system for use with new controllers.

## 5 - Operation and safety features

### 5.1 Turning system On/Off

- ▶ To turn the system on press and hold the ON button for 1 second. If the system is active the panel LED will turn green.
- ▶ To turn the system OFF press the ON button once. The system will turn off immediately. The LED will switch off.
- ▶ If the system is in fault mode (Solid RED LED) Pressing the ON button will turn the system off.



## 5.2 LED Colour Diagnostics

### Safety Features

- ▶ If the thruster is operated constantly in one direction for more than 3 minutes, the system will enter fault mode. When in fault mode the control panel LED will turn RED.
- ▶ If the system is receiving a PORT/STBD signal when turning the system on then the system will enter fault mode. When in fault mode the control panel LED will turn RED. This is to prevent the thruster from unintentionally thrusting during start-up due to a wiring fault, or a second joystick accidentally being operated.
- ▶ If PORT and STBD signals are received simultaneously then the system will stop thrusting.
- ▶ The system will automatically power down after 15minutes of inactivity for TT & 5minutes for RT thrusters.
- ▶ When changing thrust instantly from PORT to STBD / vice-versa there will be a short delay to allow the propeller to come to rest before acceleration in the opposite direction.
- ▶ The thruster motor is fitted with a thermal switch to prevent thruster activation if the motor overheats. If the motor temperature goes too high the system will stop thrusting and the panel LED will FLASH RED. Once the motor returns to a safe temperature the LED will turn GREEN and thruster operation may recommence.
- ▶ The system will detect if the battery voltage is low and indicate this by turning the control panel LED AMBER. This is for indication only and will not affect thruster performance.

COLOUR	STATUS
Green	System ON
Green (Flashing)	RT Thruster Extending / Retracting
Amber	Low Voltage
Red (Flashing)	Motor High Temperature
Red	Fault

## 6 - Final checks

ⓘ Check the power is OFF

### Check list electrical

- ▶ Check motor connections are tight with rubber boots in place.
- ▶ The correct fuse is in place.
- ▶ Check all switch wires are connected to correct motor terminal.
- ▶ Now the cables can be connected to the battery.

### Operation of electrical unit

- ▶ Ensure batteries are fully charged before switching on the main power.
- ▶ When first operating the thruster, make sure you are not close to other vessels.

⚠ The thruster must not be operated unless it is in water.

**Refer to TT or RT thruster manual for further information.**

## 7 - Warranty

### Limited Warranty and Key Terms of Supply by Lewmar

Lewmar warrants that in normal private pleasure boat usage and with proper maintenance its products will conform with their specification for a period of three years from the date of purchase by the end user, subject to the conditions, limitations and exceptions listed below. Any product, which proves to be defective in normal usage during that three-year period, will be repaired or, at Lewmar's option, replaced by Lewmar.

#### A CONDITIONS AND LIMITATIONS

- i Lewmar's liability shall be limited to the repair or replacement of any parts of the product which are defective in materials or workmanship.
- ii Responsibility for the selection of products appropriate for the use intended by the Buyer shall rest solely with the Buyer and Lewmar accepts no responsibility for any such selection.
- iii Lewmar shall not be liable in any way for Product failure, or any resulting loss or damage that arises from:
  - a. use of a product in an application for which it was not designed or intended;
  - b. corrosion, ultra violet degradation or wear and tear;
  - c. a failure to service or maintain the product in accordance with Lewmar's recommendations;
  - d. faulty or deficient installation of the product (unless conducted by Lewmar);
  - e. any modification or alteration of the product;
  - f. conditions that exceed the product's performance specifications or safe working loads.
- g. Abuse
- iv Product subject to a warranty claim must be returned to the Lewmar outlet that supplied the product for examination unless otherwise approved by Lewmar in writing.
- v This warranty does not cover any incidental costs incurred for the investigation, removal, carriage, transport or installation of product.
- vi Service by anyone other than authorized Lewmar representatives shall void this warranty unless it accords with Lewmar guidelines and standards of workmanship.
- vii Lewmar's products are intended for use only in the marine environment. Buyers intending to use them for any other purpose should seek independent professional advice as to their suitability. Lewmar accepts no liability arising from such other use.

#### B EXCEPTIONS

Cover under this Warranty is limited to a period of one year from the date of purchase by the end user in the case of any of the following products or parts of products:

- Electric motors and associated electrical equipment
- Electronic controls
- Hydraulic pumps, valves and actuators
- Hatch & Portlight weather seals
- Products used in "Grand Prix" racing applications
- Products used in commercial or charter applications
- Anchor rodes

#### C LIABILITY

- i Lewmar's liability under this warranty shall be to the exclusion of all other warranties or liabilities (to the extent permitted by law). In particular (but without limitation):
    - a. Lewmar shall not be liable for:
      - Any loss of anticipated turnover or profit or indirect, consequential or economic loss;
      - Damages, costs or expenses payable to any third party;
      - Any damage to yachts or equipment;
      - Death or personal Injury (unless caused by Lewmar's negligence).
- Some states and countries do not allow the exclusion or limitation of incidental or consequential damages, so the above limitation or exclusion may not apply to you
- b. Lewmar grants no other warranties regarding the fitness for purpose, use, nature or satisfactory quality of the products.
  - ii Where applicable law does not permit a statutory or implied warranty to be excluded, then such warranty, if permitted by that state or country's law, shall be limited to a period of one year from the date of purchase by the end user. Some states and countries do not allow limitations on how long an implied warranty lasts, so this limitation may not apply to you.

#### D PROCEDURE

Notice of a claim for service under this warranty shall be made promptly and in writing by the end user to the Lewmar outlet that supplied the product or to Lewmar Limited at Southmoor Lane, Havant, Hampshire PO9 1JJ, England.

#### E SEVERANCE CLAUSE

If any clause of this warranty is held by any court or other competent authority to be invalid or unenforceable in whole or in part, the validity of the remaining clauses of this warranty and the remainder of the clause in question shall not be affected.

#### F OTHER RIGHTS

This warranty gives you specific legal rights, and you may also have other legal rights, which vary from state to state and country to country. In the case of European States a Consumer customer (as defined nationally) has legal rights under the applicable national law governing the sale of Consumer Goods; this Warranty does not affect those rights.

#### G LAW

This warranty shall be governed by and read in accordance with the laws of England or the state or country in which the first end user is domiciled at the time of purchase of the product.

#### H DISPUTES

Any dispute arising under this warranty may, at the option of the end-user, be referred to alternative dispute resolution under the rules of the British Marine Federation or to the Courts of the State whose law shall govern the warranty or to the Courts of England and Wales.

The British Marine Federation may be contacted at Marine House, Thorpe Lea Road, Egham, England, TW20 8BF

## **UK & International Distribution**

Lewmar  
Southmoor Lane  
Havant  
Hampshire  
PO9 1JJ  
England

**Tél :** +44 (0)23 9247 1841

**Fax :** +44 (0)23 9248 5720

**E-mail :** info@lewmar.com

## **USA**

Lewmar  
351 New Whitfield Street  
Guilford, CT  
06437  
USA

**Tél :** +1 203 458 6200

**Fax :** +1 203 453 5669

**E-mail :** info@lewmarusa.com

# **LEWMAR®**

**www.lewmar.com**

Réf. 559232 v.1