

# ALBRIGHT

ALBRIGHT INTERNATIONAL LTD  
ALBRIGHT (Engineers) LTD



## SW180 AND SW190 SERIES OF D.C. CONTACTORS

### UNIQUE RANGE

The SW180 series of contactors has been designed for direct current loads, particularly motors as used on electric vehicles such as industrial trucks, airport tractors, etc. They have double breaking main contacts with silver alloy contact tips, which are weld resistant, hard wearing and have excellent conductivity.

The range comprises: Single Pole, on/off types (SW180), Double Pole, on/off types (SW190), Single Pole, changeover types (SW181), Single Pole, normally closed types (SW185) and paired versions of these for motor reversing (SW182, DC182 and SW192).

### COMPACT SIZE

The contactors are compact in size and are fully serviceable, with a full range of spare parts available.

### EASY INSTALLATION

Mounting is by means of 5mm tapped holes in the switch frame together with a range of mounting brackets complete with screws and washers.

Coil connections are by means of 6mm spades of which two are supplied per terminal.

Contactors types SW182, DC182, SW184, DC184, SW189 and SW192 are supplied as an assembly which includes a mounting bracket as a standard feature.

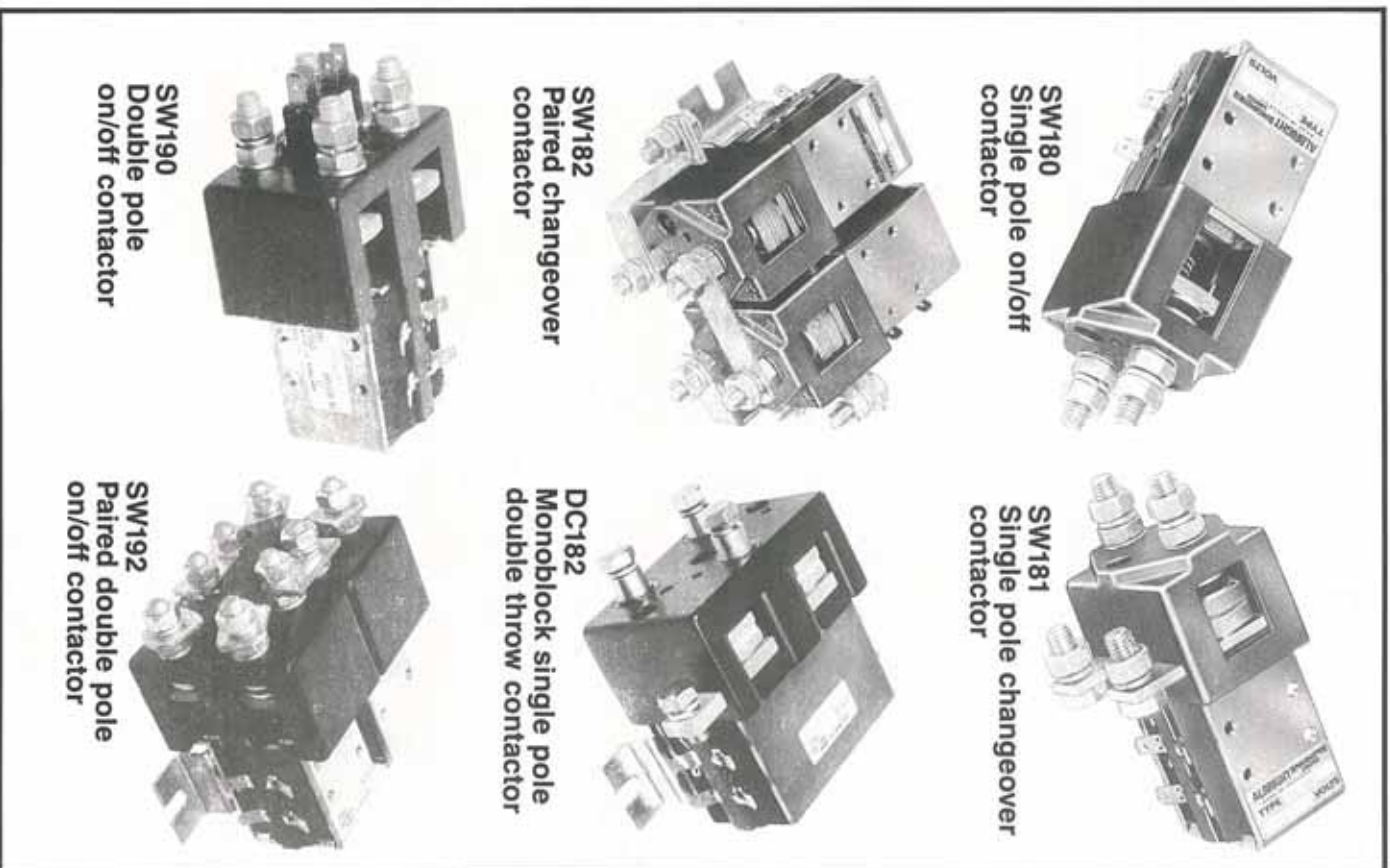
Mounting attitudes are detailed in the drawings on the following pages.

### OPERATING COILS

Coil voltages ranging from 6 to 240 are available and these are wound for D.C. operation.

However coils can be fitted with a bridge rectifier for use from A.C. supplies.

Coils are normally wound for intermittent duty (up to 70% 'on' time) but continuous duty version (100%) are also available.



**SW180**  
Single pole on/off  
contactor

**SW181**  
Single pole changeover  
contactor

**SW182**  
Paired changeover  
contactor

**DC182**  
Monoblock single pole  
double throw contactor

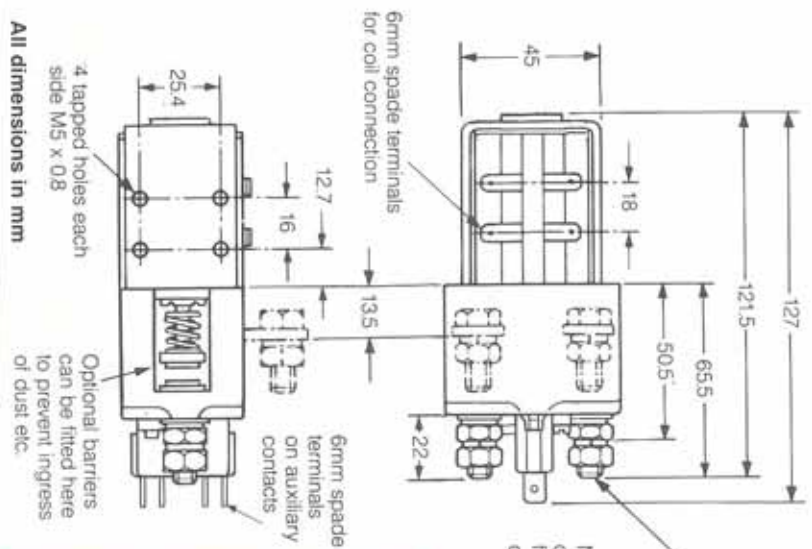
**SW190**  
Double pole  
on/off contactor

**SW192**  
Paired double pole  
on/off contactor

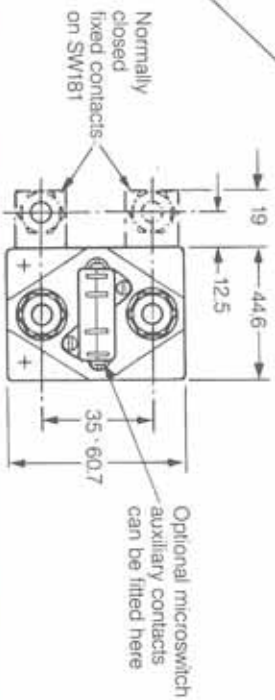
### CONTACTORS IN THE SERIES

SW180	SINGLE POLE SINGLE THROW
SW181	SINGLE POLE DOUBLE THROW
DC182	MONOBLOCK SINGLE POLE DOUBLE THROW (for motor reversing)
SW182	PAIRED SINGLE POLE DOUBLE THROW ON DOUBLE BRACKET (for motor reversing)
DC184	MONOBLOCK 2 x SW180

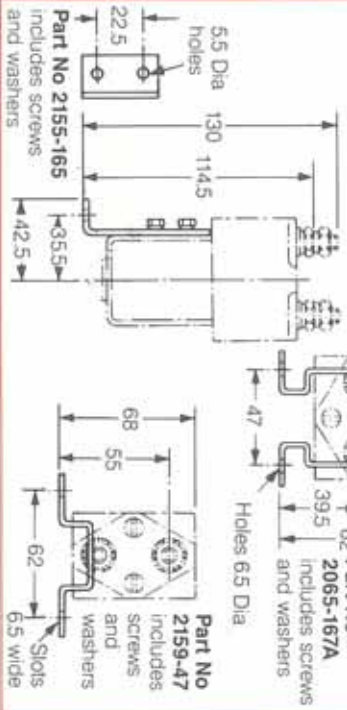
SW184	2 x SW180 ON DOUBLE BRACKET
SW185	SINGLE POLE SINGLE THROW (normally closed)
SW189	2 x SW185 ON DOUBLE BRACKET
SW190	DOUBLE POLE SINGLE THROW
SW192	PAIRED DOUBLE POLE SINGLE THROW (for motor reversing)



M8 main terminals to be tightened within the range 8 to 9.5 Nm



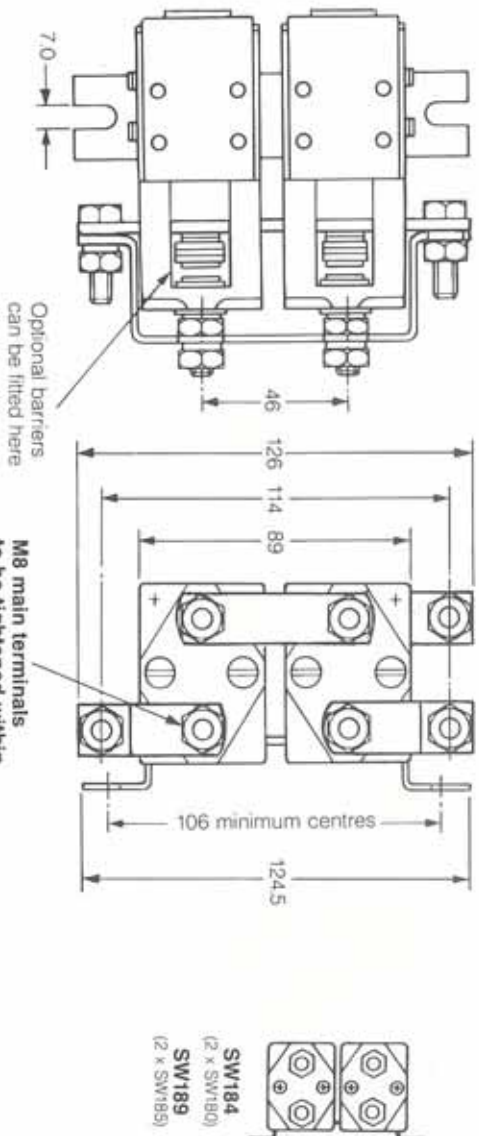
**OPTIONAL MOUNTING BRACKETS**



**SW180, 181 AND 185**

All dimensions in mm

The contactors can be mounted either horizontally or vertically. If mounted vertically the contact studs must point upwards with the exception of the SW185 and its derivatives which should be mounted with the contact studs pointing downwards.

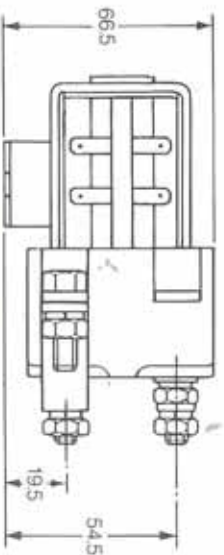


The paired contactors are fitted with mounting bracket as shown. Auxiliary contacts can be fitted as shown on SW180.

All dimensions in millimetres

**PLEASE NOTE**

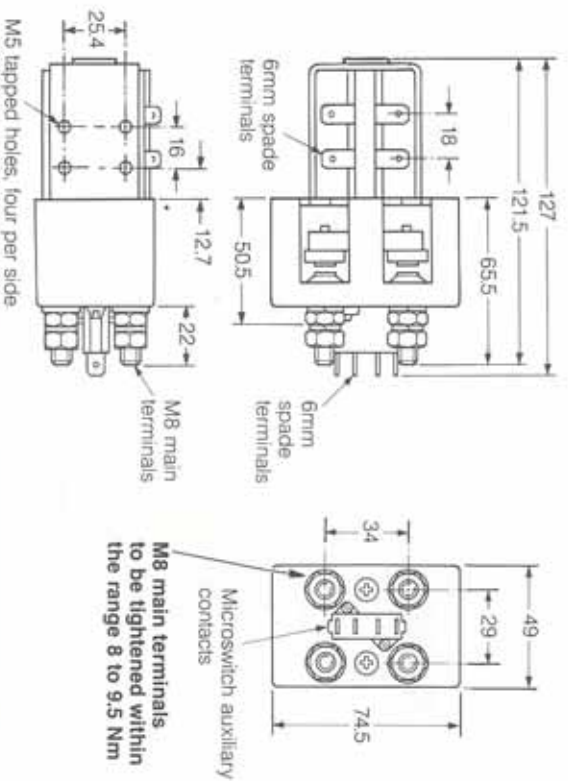
The Normally Closed contacts of the SW181 and SW182 are not designed to make and break current.



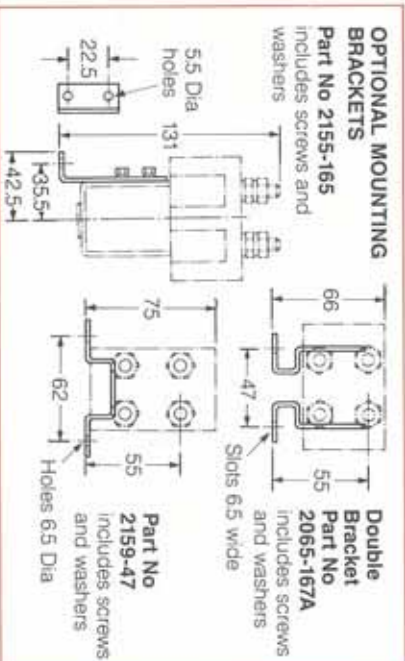
**SW182, SW184 AND SW189**



## DIMENSION DRAWINGS

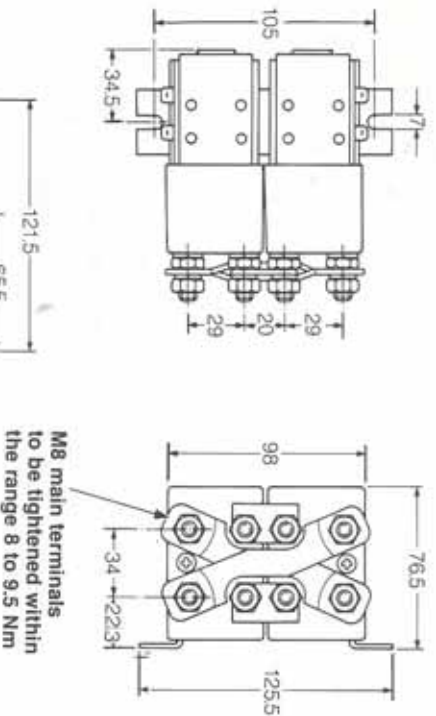


M8 main terminals to be tightened within the range 8 to 9.5 Nm



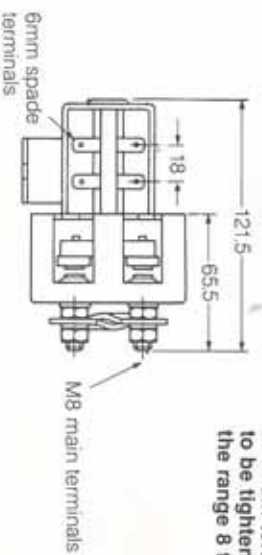
## SW190

The contactors can be mounted either horizontally or vertically. If mounted vertically the contact studs must point upwards.



M8 main terminals to be tightened within the range 8 to 9.5 Nm

## SW192



Pull-in voltages are approximately 60% and 66% of the rated voltage for intermittent and continuously rated types respectively. Drop out voltage is nominally 10% of rated voltage. Variations from these pull-in and drop-out figures can be engineered to suit particular applications.

### CONTACTOR PAIRS

The contactors can be mounted in pairs on a common bracket together with inter-connecting electrical links. The most important of these arrangements are the motor reversing circuits provided by the SW182, DC182 and SW192 contactor pairs.

The SW182 and DC182 types have a built in fail-safe so that if both coils are energised simultaneously the contact design creates an open circuit situation.

The SW192 types have fast drop-out times (approx 5 m.sec.) and relatively slow pull-in times (approx 20 m.sec). Therefore motor direction changes can be undertaken without risk of all contacts being closed at the same time. However, certain types of coil suppression, such as diodes, substantially increase drop-out times and care must be taken to ensure suitable suppression is fitted, e.g. diode and resistor in series.

### MAGNETIC BLOWOUTS 'B'

The contactors can be fitted with permanent magnet blowouts. These enable the contacts to switch D.C. voltages of 48 or higher. Fitting of blowouts to single pole types makes the contacts polarity sensitive and the **Positive markings** on the top cover of the contactor **must** be observed.

Double pole types are not polarity sensitive when blowouts are fitted. The suffix 'B' denotes the fitting of magnetic blowouts, for example SW180B.

### AUXILIARY CONTACTS 'A'

A double circuit normally open, normally closed microswitch can be fitted which has a D.C. resistive rating of 5 Amperes at 24v.

The suffix 'A' should be added to the type number when an auxiliary

contact is required, for example, SW180A.

Note: Auxiliary contacts cannot be fitted to the SW192 type.

### LARGE CONTACTS 'L'

The SW180 range of contactors have standard contacts which are 10.3 mm diameter. These are suitable for

the majority of applications where switching conditions are relatively light, particularly on electronically controlled vehicles. However, in applications where more severe conditions exist, e.g. pump motor switching, all types are available with larger contacts 15.2 mm diameter. The suffix 'L' denotes larger contacts.

### PROTECTION

Optional barriers can be fitted into contact housings, except for SW190 and SW192, to protect against environmental dust etc.

Magnetic blowouts should not be used with closed contact housings.

### DC182 & DC184

The DC182 motor reversing contactors have a monoblock construction. They comprise two single pole changeover contactors configured in such a way so that all the necessary links for DC motor reversing applications are contained within the contact housing.

This results in a neat compact design which is compatible with modern electronic control systems.

The main terminals can be configured in a variety of ways in order to suit the application layout.

All the features described in this brochure for the other contactors in the SW180 range apply to the DC182.



Similarly all the optional extras listed apply:

Magnetic blowouts (suffix B)  
Auxiliary contacts (suffix A)  
Large contact tips (suffix L)

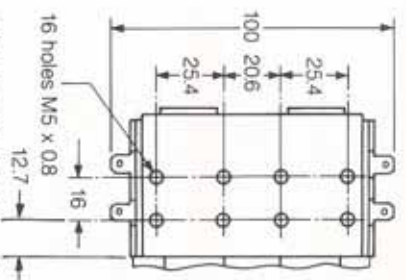
A variety of methods for mounting the contactor are available:

- (1) An integral bracket. (2) Tapped holes in the contactor frame for direct panel mounting. (3) A separate bracket, part number 2155-165 for mounting the contactor at 90° to a panel.

The DC182 is physically and electrically interchangeable with the SW182 reversing contactor.

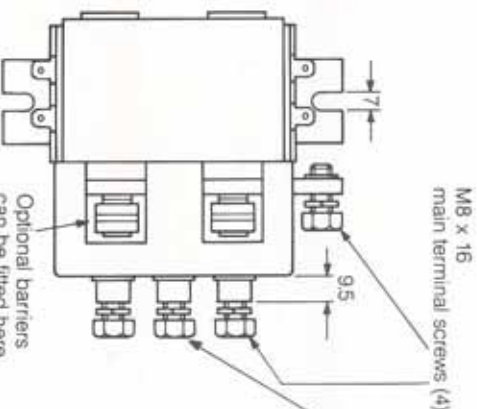
A paired single pole on/off contactor can also be supplied. This is the type DC184 and this contactor can also have integral links for the main poles if required.

### DC182

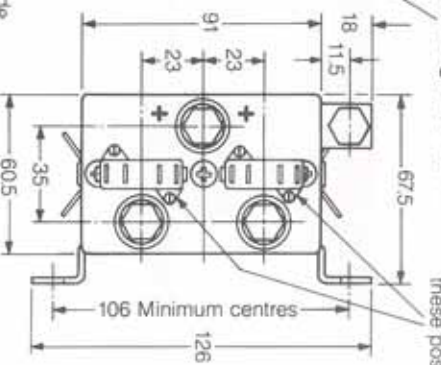


**PANEL MOUNTING VERSION**  
The contactor can be mounted horizontally or vertically. If mounted vertically, main terminals must point upwards.

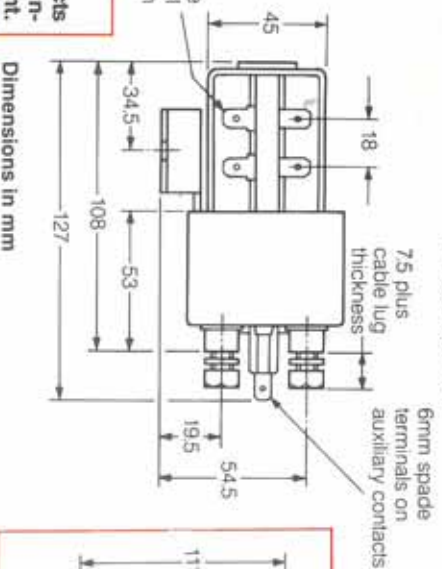
6mm spade terminals for coil connection



M8 main terminals to be tightened within the range 8 to 9.5 Nm



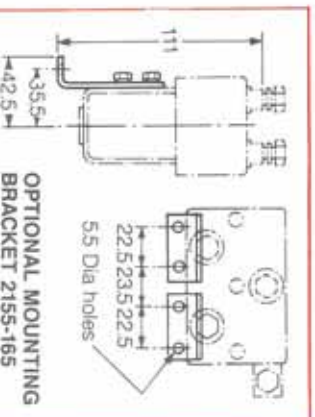
Optional microswitch auxiliary contacts can be fitted in these positions



Dimensions in mm

### PLEASE NOTE

The Normally Closed contacts of the DC182 are not designed to make and break current.



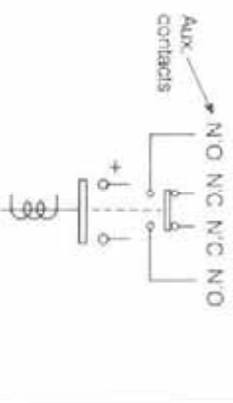
OPTIONAL MOUNTING BRACKET 2155-165



**CONNECTION DIAGRAMS**

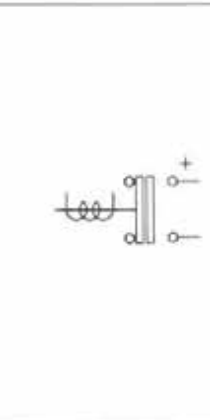
**SW180**

Single Pole Single Throw (On/Off) Contactor



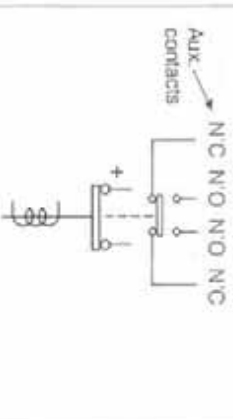
**SW181**

Single Pole Double Throw (Changeover) Contactor



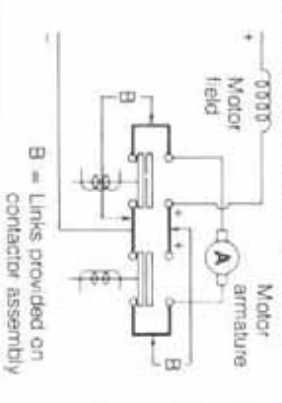
**SW185**

Single Pole Single Throw (On/On) Normally Closed Contactor



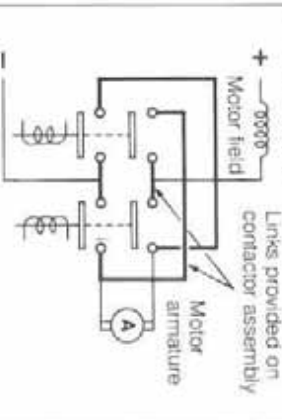
**SW182**

Paired Single Pole Double Throw Contactor. Complete with necessary links for motor reversing



**SW192**

Paired Double Pole Single Throw Contactor complete with links for motor reversing

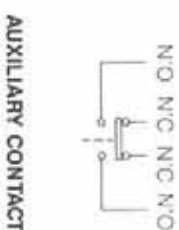
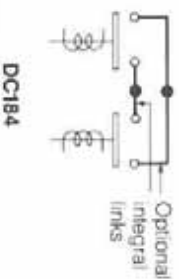
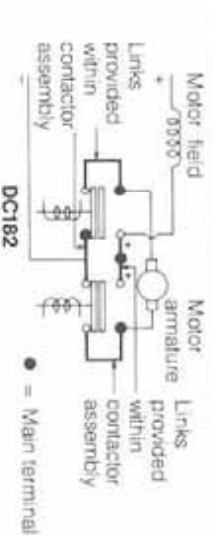


**SW190**

Double Pole Single Throw Contactor



**DC182 AND DC184**



**CONTACTOR WEIGHTS**

Add 20 gms for each auxiliary

Add 50 gms for each set of blowout magnets

SW180 640 gms  
SW181 780 gms

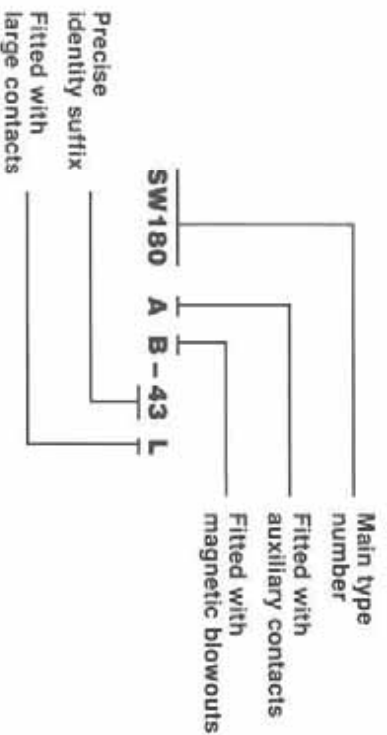
SW182 1690 gms  
SW184 1350 gms

SW185 655 gms  
SW189 1380 gms

SW190 760 gms  
SW192 1660 gms

DC182 1660 gms  
DC184 1450 gms

**EXPLANATION OF CONTACTOR TYPE NUMBERS**



	Auxiliary Contacts	Magnetic Blowouts	Mounting Brackets	Large Contact Tips	Closed Contact Housing
SW180	O	O	O	O	O
SW181	O	O	O	O	O
SW182	O	O	S	O	O
SW184	O	O	S	O	O
SW185	O	O	O	O	O
SW189	O	O	S	O	O
SW190	O	O	O	O	N
SW192	N	O	S	O	N
DC182	O	O	S	O	O
DC184	O	O	S	O	O

O = Optional Extra S = Standard Feature N = Not Available

## COIL RESISTANCES FOR POPULAR VOLTAGES

Intermittently rated coils (ohms)	12V DC	24V DC	36V DC	48V DC	60V DC	72V DC	80V DC
	5	17	44	73	102	150	212
Continuously rated coils (ohms)	13	44	102	150	282	427	427

## PERFORMANCE DATA

Thermal current rating (100%)	150 Amperes
Intermittent current rating	275 Amperes
30% duty	240 Amperes
40% duty	225 Amperes
50% duty	200 Amperes
60% duty	180 Amperes
70% duty	

Typical fault currents which can be ruptured (5ms time constant)

SW180 and SW185	1000 Amperes at 48V D.C.
SW180B and SW185B	1000 Amperes at 96V D.C.
SW181 * SW182 * and DC182 *	1000 Amperes at 48V D.C.
SW181B , SW182B * and DC182B *	1000 Amperes at 96V D.C.
SW190 and SW192	1000 Amperes at 80V D.C.
SW190B and SW192B	600 Amperes at 120V D.C.

\* Normally open contacts; not normally closed contacts.

Maximum recommended contact voltages

SW180 and SW185	48V D.C.
SW180B and SW185B	96V D.C.
SW181, SW182 and DC182	48V D.C.
SW181B, SW182B and DC182B	96V D.C.
SW190 and SW192	96V D.C.
SW190B and SW192B	120V D.C.

Typical voltage drop across contacts per 100 Amperes

SW180 and SW185	30mV
SW181, SW182 and DC182 (normally open contacts)	40mV
SW181, SW182 and DC182 (normally closed contacts)	30mV
	40mV

Mechanical life

> 5 x 10<sup>6</sup>

Coil power dissipation

Intermittently rated types	30-40 Watts
Continuously rated types	10-15 Watts

Maximum pull-in voltage (coil at 20°C)

Intermittently rated types	60% $\Delta$ V
Continuously rated types	66% $\Delta$ V

Typical drop-out voltage

10-20% $\Delta$ V

Pull-in time approx (no contacts to close)

30ms

Drop-out time approx (no contacts to open)

8ms

Without suppression

60ms

With diode suppression

25ms

With diode and resistor (depending on value)

Main contact changeover time (SW181, SW182 and DC182)

12ms

Normally closed to normally open

5ms

Normally open to normally closed

Typical contact bounce period

3ms

Auxiliary contact thermal current rating

5 Amperes

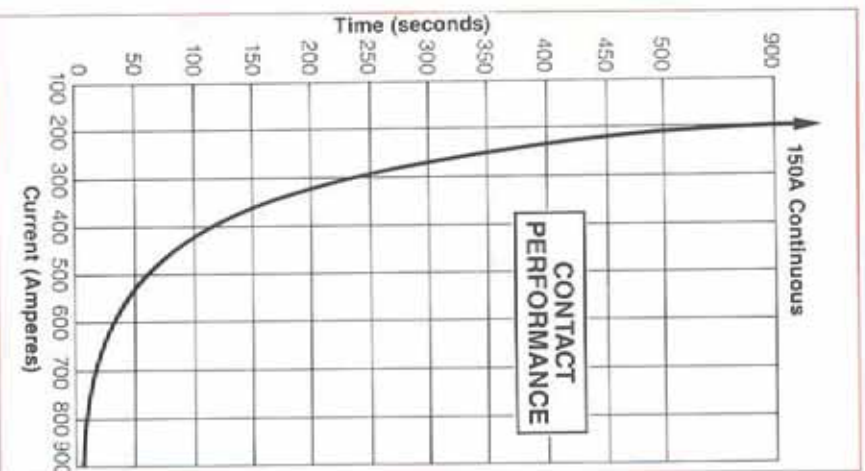
Auxiliary contact switching capacities (resistive load)

5A at 24V D.C.
2A at 48V D.C.
0.5A at 240V D.C.

Albright is registered under BS EN ISO 14001 - Environmental Management System. Should you require information on the disposal of our products, please contact our Health, Safety & Environmental Manager or your Local Supplier for our Disposal Guidance Note.



All the performance data figures should be used as a guide only. Alternative ratings may be considered according to applications.



ALBRIGHT INTERNATIONAL LTD

Evingar Trading Estate, Ardgligh Road, Whitechurch, Hampshire, RG28 7BB, UK. Tel: +44 (0)1256 693060, Fax: +44 (0)1256 693562

Dedicated Sales: Tel: +44 (0)1256 690030, Fax: +44 (0)1256 690043

Email: sales@albrightinternational.com or technical@albrightinternational.com

Web Site: www.albrightinternational.com