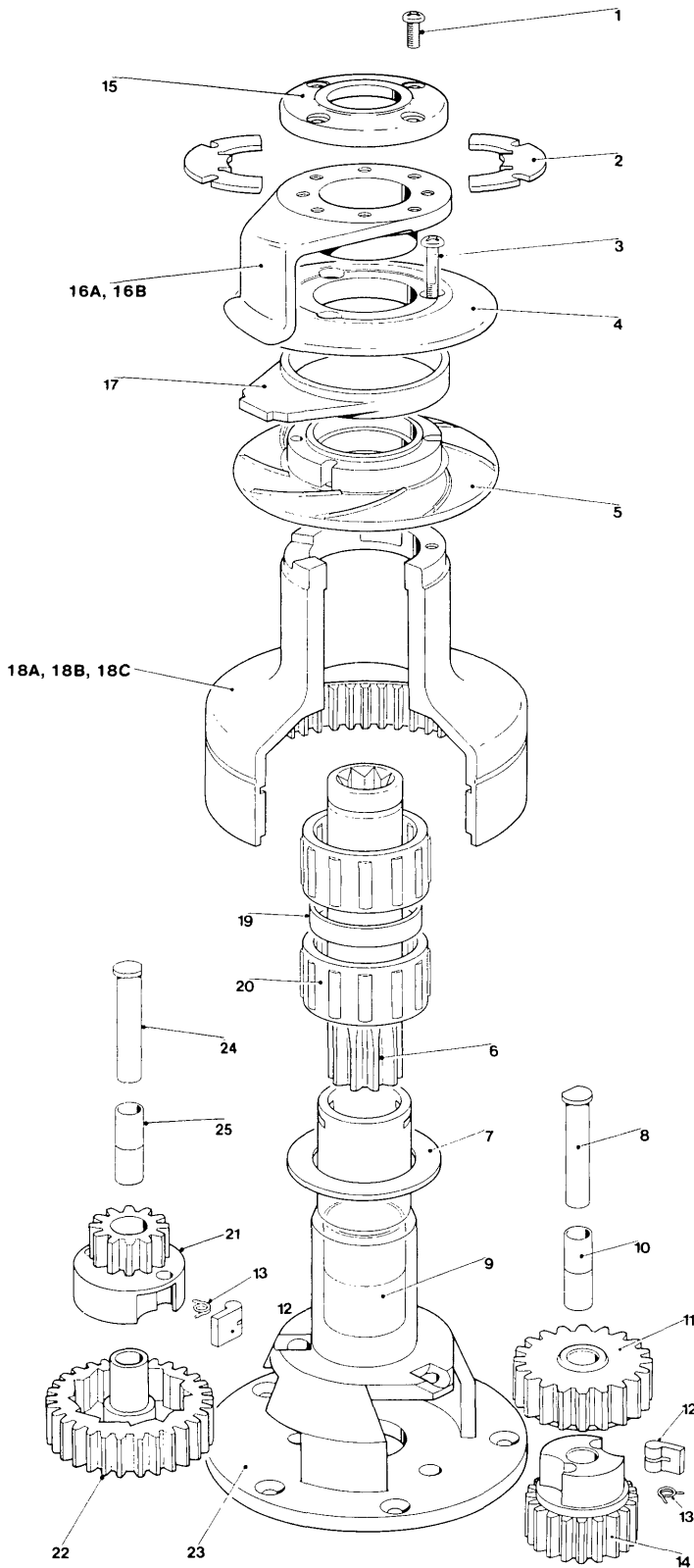


No. 40ST



No. 40 2 Speed Self Tailing Winch

Item No.	Part No.	Description	No. Off
1	B0325	Pan Hd Posidriv Screw M5 x 12mm Long	4
2	15000387	Collet	2
3	B0325	Pan Hd Posidriv Screw M5 x 30mm Long	3
4	15000482	Upper Crown	1
5	15000373	Lower Crown	1
6	15000836	Spindle	1
7	15000466	Drum Washer	1
8	15000486	Gear Spindle	1
9	15000377	Main Spindle Sleeve Fitted Item 23	2
10	15000378	Gear Spindle Sleeve	2
11	15000489	Ratchet Gear	1
12	1260/8	Pawl	4
13	1260/8	Pawl Spring	4
14	15000490	Pawl Gear	1
15	15000379	Top Cap	1
16A	15000371	Feeder Arm - Chrome	1
16B	15000672	Feeder Arm - Bronze	1
17	15000375	Stripper Ring	1
18A	15000483	Drum - Chrome	1
18B	15000484	Drum - Alloy	1
18C	15000670	Drum - Bronze	1
19	15000491	Bearing Spacer	1
20	150008007	Bearing	2
21	15000488	Pawl Gear	1
22	15000487	Ratchet Gear	1
23	15000485	Centre Stem	1
24	15000620	Gear Spindle	1
25	15000398	Gear Spindle Sleeve	2