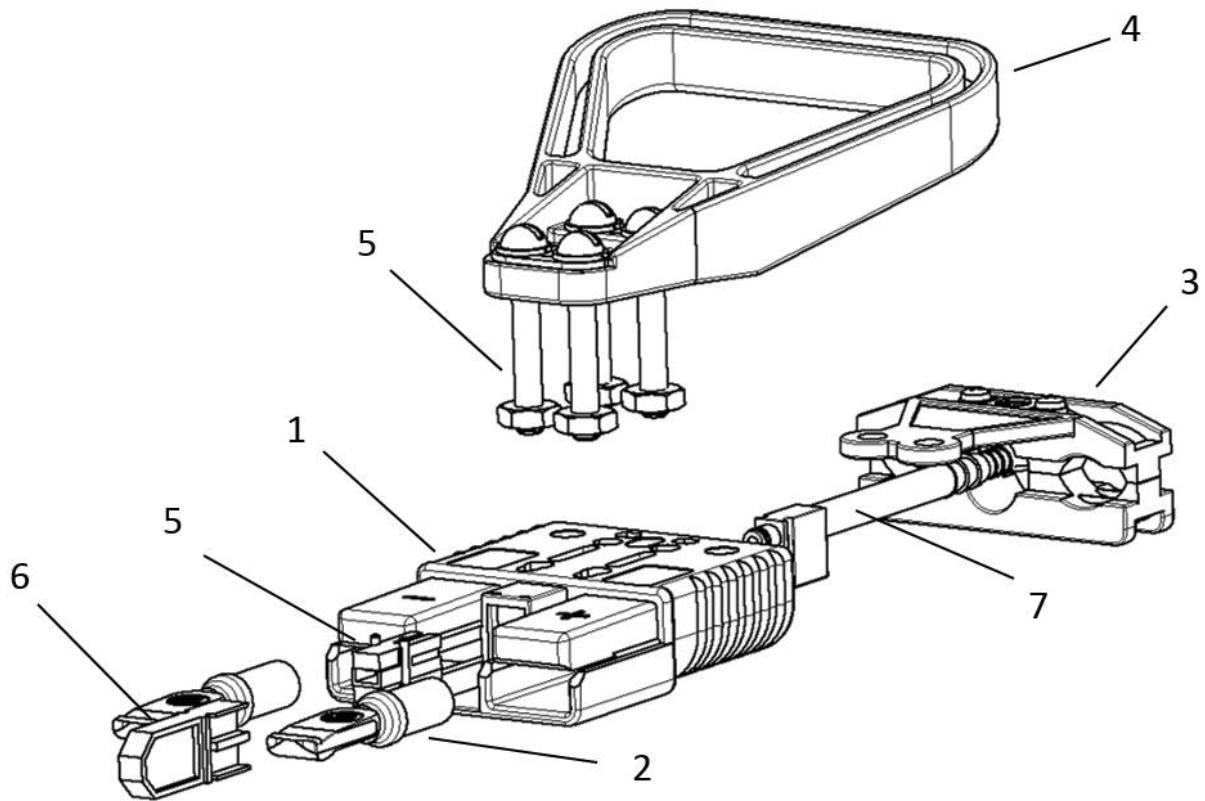


## 1. BASIC STRUCTURE / PARTNUMBER



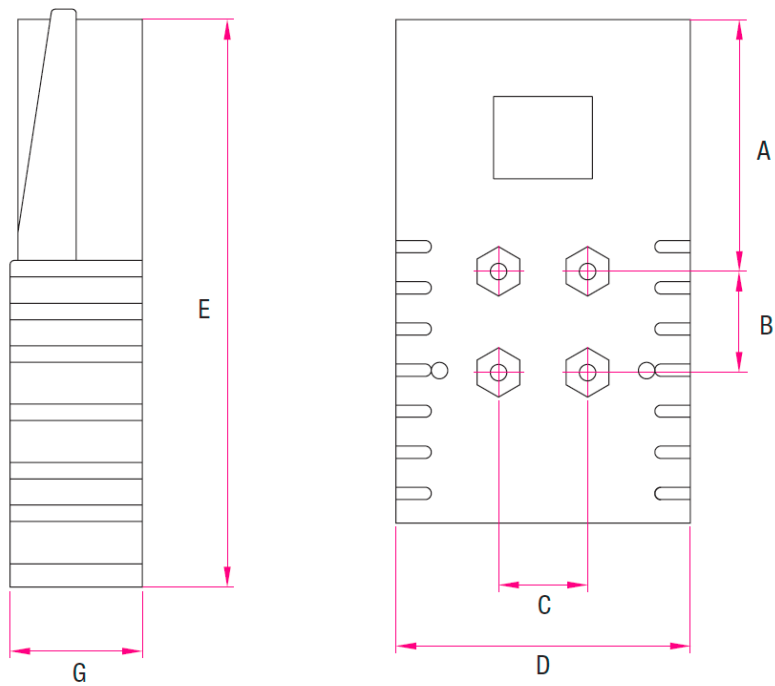
## SRE Connector 320

COLOUR	CODING	SRE-CONNECTOR 2-POLE complete with housing and without auxiliary contacts				SRE-CONNECTOR 2-POLE (POS 1) complete with housing and auxiliary contacts			
		35mm <sup>2</sup>	50mm <sup>2</sup>	70mm <sup>2</sup>	95mm <sup>2</sup>	35mm <sup>2</sup>	50mm <sup>2</sup>	70mm <sup>2</sup>	95mm <sup>2</sup>
> Yellow	12 V	---	110913	109459	111395	---	109322	109323	109325
> Orange	18 V	---	111396	109464	109467	---	111401	111402	111403
> Red	24 V	109470	109446	109447	109449	111404	109303	109304	109306
> Grey	36 V	109469	109438	109439	109441	111405	109295	109296	109298
> Blue	48 V	111397	109442	109443	109445	111406	109300	109301	111407
> Green	72 V	111398	109450	109451	111400	111408	110908	109307	109309
> Black	80V	110914	109455	109456	109458	111409	109312	109313	109315
> Brown	96V	---	111399	109465	109468	---	111410	111411	111412
> Purple	120V	---	109466	110393	110393	---	109326	109326	109326

## Parts / accessories

POS		35mm <sup>2</sup>	50mm <sup>2</sup>	70mm <sup>2</sup>	95mm <sup>2</sup>	35mm <sup>2</sup>	50mm <sup>2</sup>	70mm <sup>2</sup>	95mm <sup>2</sup>
2	Main contacts	102756	109199	109384	109389	102756	109199	109384	109389
3	Cable clamp		109201				109201		
4	Handle grey		109393				109393		
4	Handle red		109411				109411		
5	Handle grey with 4 screws		109393				109393		
5	Handle red with 4 screws		109401				109401		
6	Coding pin yellow		109252				109252		
>	Handle grey, straight type		109405				109405		
>	Auxiliary contact set		---				109257		
>	Female set		---				102732		
>	Male set		---				102733		

#### 4. DRAWINGS



TYPE	A		B		C		D		E		G	
	[mm]	[inch]	[mm]	[inch]	[mm]	[inch]	[mm]	[inch]	[mm]	[inch]	[mm]	[inch]
>SRE160, SRX175	49,2	1,937	28,5	1,125	15,9	0,625	71,2	2,802	92,2	3,630	25,4	1,00
>SRE320, SRX350	61,9	2,437	28,5	1,125	15,9	0,625	85,7	3,374	125,4	4,937	33,3	1,312