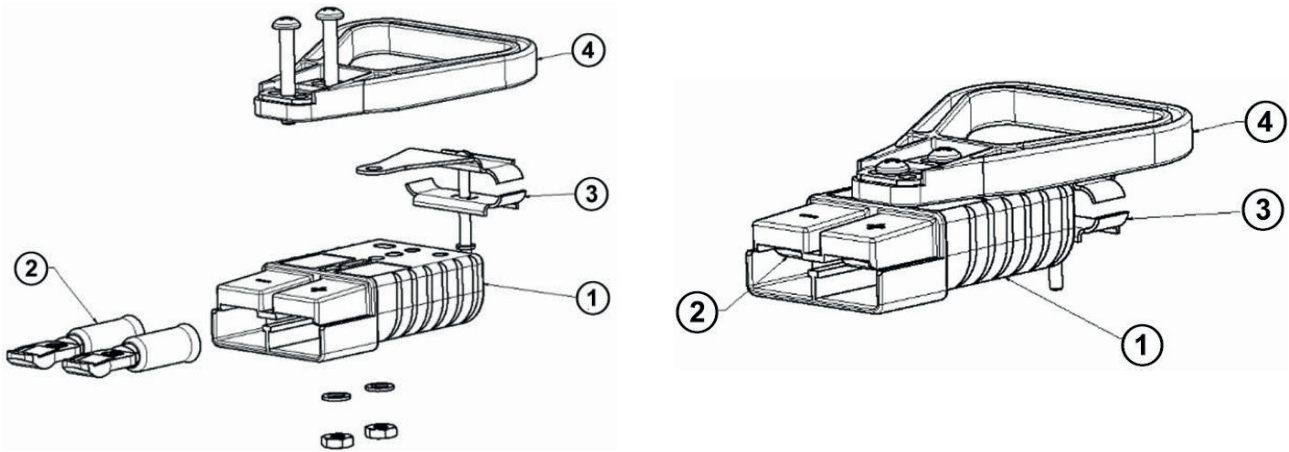


1. BASIC STRUCTURE / PARTNUMBER



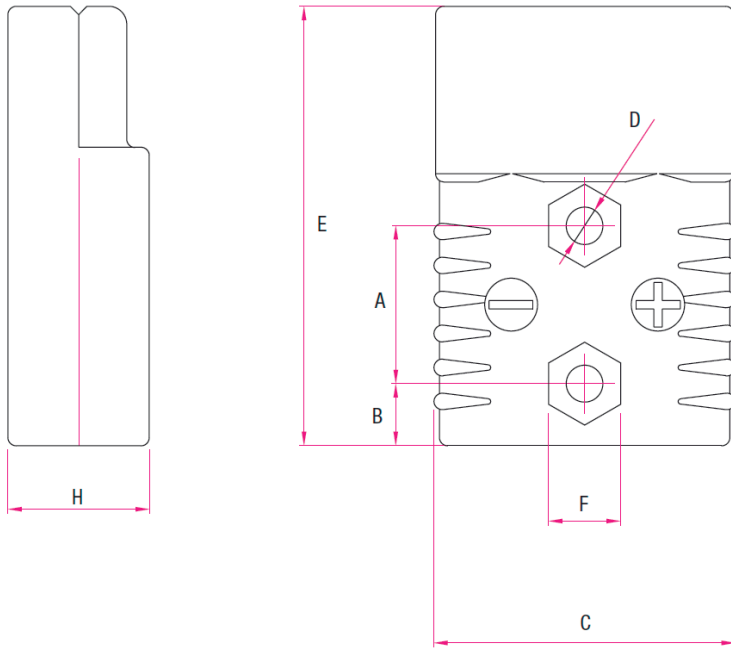
SR Connector 50

		SR-CONNECTOR 2-POLE complete with housing and 2 contacts			Housing without contacts (Pos 1)
		AWG 10/12	AWG 8	AWG 6	
COLOR	CODING	PART-NO.	PART-NO.	PART-NO.	PART-NO.
> Red	24 V	109310	109311	109324	109206
> Grey	36 V	109317	109318	109316	109205
> Black	72V	109320	109321	109319	109207

Parts / accessories

POS		PART-NO.	PART-NO.	PART-NO.	
2	Contacts	109356	109358	109354	
3	Cable clamp	104756	104756	104756	
4	Handle red with screws	109407	109407	109407	

4. DRAWINGS



TYPE	A		B		C		D		E		F		H	
	[mm]	[inch]	[mm]	[inch]	[mm]	[inch]	[mm]	[inch]	[mm]	[inch]	[mm]	[inch]	[mm]	[inch]
>SR50	19	0,75	6,2	0,25	35,7	1,38	4	0,16	48	1,89	---	---	15,8	0,62
>SR175	28,6	1,13	11,2	0,44	54,9	2,16	6,6	0,26	79,5	3,13	13,0	0,51	25,4	1,00
>SR350	28,5	1,12	34,7	1,37	70,0	2,75	7,0	0,28	107,5	4,23	13,0	0,51	33,2	1,30