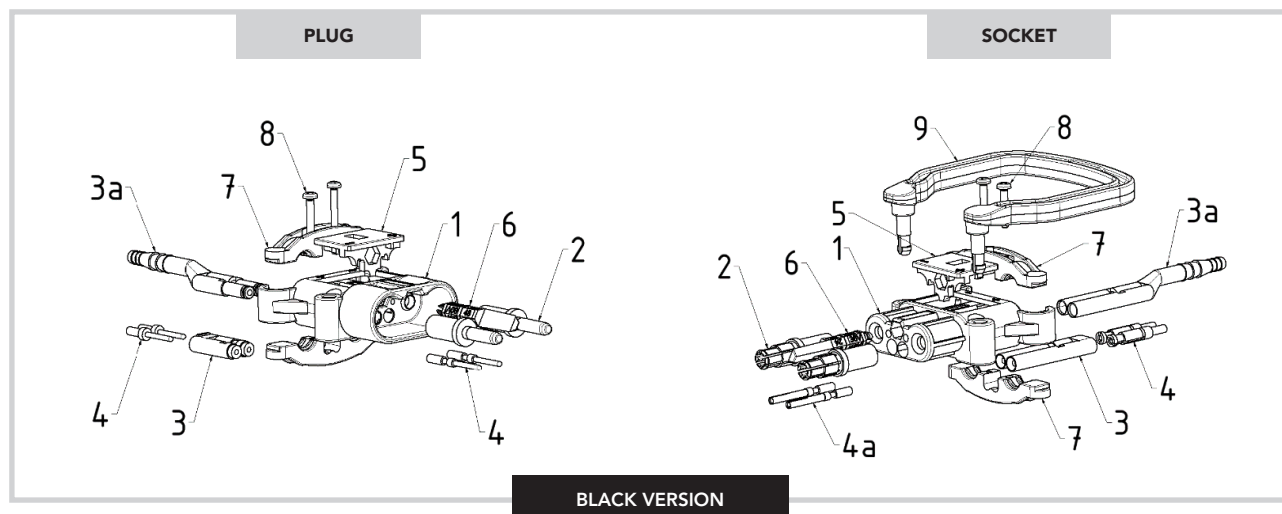


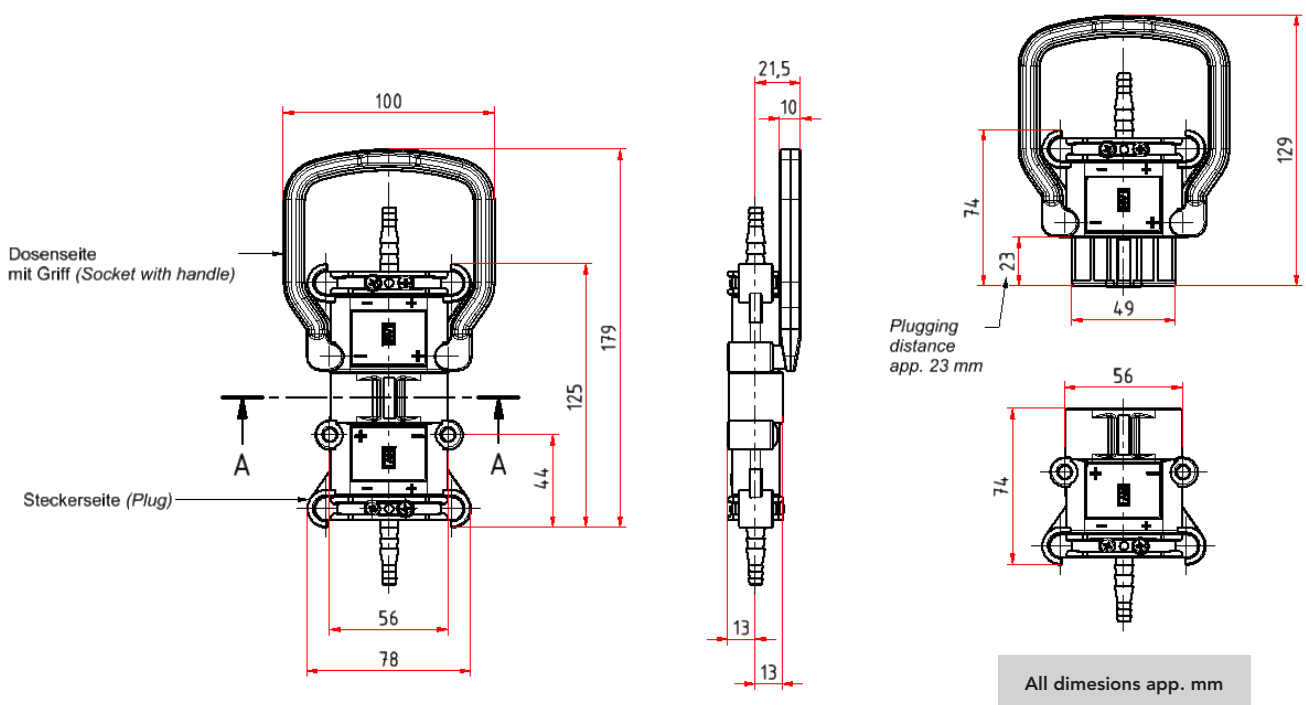
1. BASIC STRUCTURE / ORDER NUMBERS



POS.	DESCRIPTION	PART-NO. PLUG	PART-NO. SOCKET
1	Housing >PA-GF<<	100043	100053
2	Main contact 35 mm ²	108689	108695
2	Main contact 25 mm ²	108687	108693
2	Main contact 16 mm ²	108681	108691
3	Adapter for pilot contacts	100036	100035
3a	Airadapter	100469	100468
4	Auxiliary contact	102641	102663
4a	Pilot contact	102664	111318
5	Locking part black	100069	100066
6 ⁽¹⁾	Coding pin grey (wet + wet)	100072	100072
6 ⁽¹⁾	Coding pin green (dry)	100075	100075
6 ⁽¹⁾	Coding pin yellow (wet + dry)	100074	---
7	Cable clamp black (2x)	100061	100061
8	Screw (2x)	102665	102665
9	Handle black	100052	100052

(1) see page 8

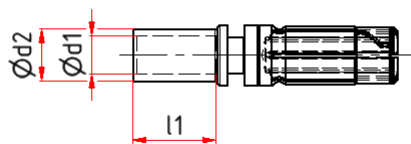
4. DRAWINGS



Plugging distance charts REMA Battery Connector DIN 80



Preparation wire acc. DIN VDE 0623-589



CROSS SECTION [mm ²]	$\varnothing d2$ [MM] 0,15	$\varnothing d1$ [mm] $\pm 0,05$	$l1$ [mm] $\pm 0,30$
35	12,5	9,0	20,0
25	11,0	8,1	20,0
16	8,4	6,1	20,0