

FIRST ANGLE PROJECTION

REMOVE ALL BURRS AND SHARP EDGES

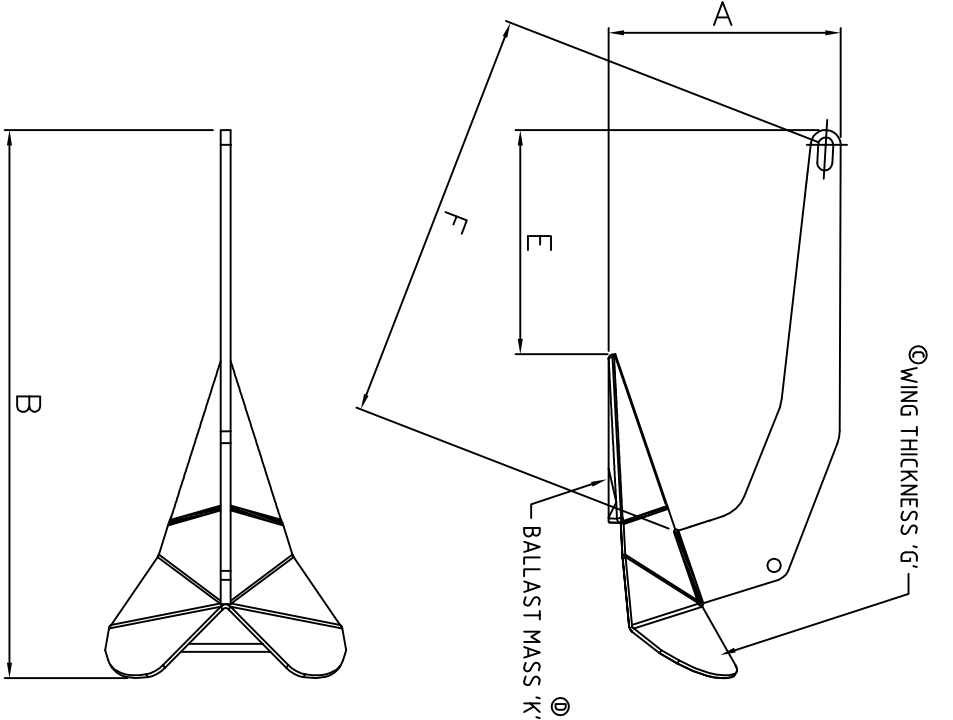
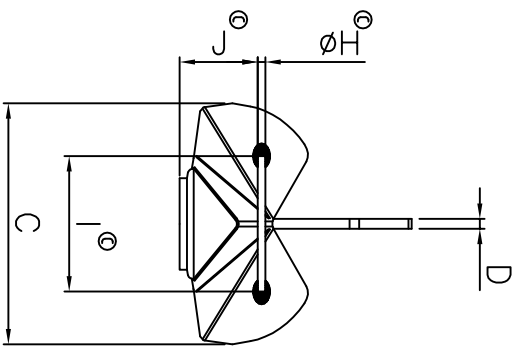
ISSUE	REVISION	MOD No.	DATE
F	SEE MOD NOTE	10503	18-Jan-07
E	SEE MOD NOTE	10480	11-Jan-07
D	SEE MOD NOTE	10392	27-Nov-06
C	SEE MOD NOTE	10377	21-Nov-06
B	SEE MOD NOTE	10232	31-Aug-06

BASIC DIMENSIONS OF GALVANISED DELTA ANCHOR

	A	B	C	D	E	F	G	ØH	I	J	K (kg)
4 kg	217	514	230	8	210	387	4	8	116	71	1.5
6 kg	254	593	265	10	243	450	4	10	148	81	2.7
10 kg	293	695	310	12.5	282	526	5	10	172	95	4.0
16 kg	339	812	362	12.5	328	614	5	12	205	114	6.1
20 kg	370	877	392	16	357	663	6	12	225	123	8.0
25 kg	397	945	415	16	387	713	6	12	245	135	9.9
32 kg	425	1023	453.5	20	425	775	8	16	254	142	10.8
40 kg	461	1099	489	20	435	833	8	16	265	154	13.7
50 kg	486	1175	523	20	479	890	8	16	282	158	18.2
63 kg	537	1270	567	22	508	963	8	25	290	171	24.6

BASIC DIMENSIONS OF ST/ST DELTA ANCHOR

	A	B	C	D	E	F	G	ØH	I	J	K (kg)
6 kg	254	593	265	10	243	450	4	10	148	89	1.6
10 kg	293	695	310	12.5	282	526	5	10	172	104	2.8
16 kg	339	812	362	12.5	328	614	5	12	205	114	6.1
20 kg	370	877	392	16	357	663	6	12	225	122	8.0
25 kg	397	945	415	16	387	713	6	12	245	121	8.8
32 kg	432	1028	446	20	407	774	8	16	250	143	6.5
40 kg	461	1099	489	20	435	833	8	16	265	164	10.7
50 kg	486	1175	523	20	479	890	8	16	282	167	17.2
63 kg	537	1270	567	22	508	963	8	25	290	185	18.3



NOTE:

FOR GALVANISED ANCHORS - STEEL BALLAST IS WELDED DIRECTLY TO WINGS.  
FOR ST/ST ANCHORS - LEAD BALLAST IS HELD INSIDE WELDED CHAMBER.

PART No. 60000431

ORIGINAL SIZE A2  
REFERENCE SCALE IN MM  
10 20 30 40 50

Unauthorized use, manufacture or reproduction  
In whole or in part is prohibited

FOR GALVANISED ANCHORS - STEEL BALLAST IS WELDED DIRECTLY TO WINGS.  
FOR ST/ST ANCHORS - LEAD BALLAST IS HELD INSIDE WELDED CHAMBER.

MATERIAL

FINISH

ALL DIMENSIONS IN mm

TOLERANCES (AS STATED)

DRN MD

DATE 17-July-06

SCALE NTS

TITLE

DELTA ANCHOR SPECIFICATION

PART No. 60000431

LEWIS