

FIRST ANGLE PROJECTION

REMOVE ALL BURRS AND SHARP EDGES

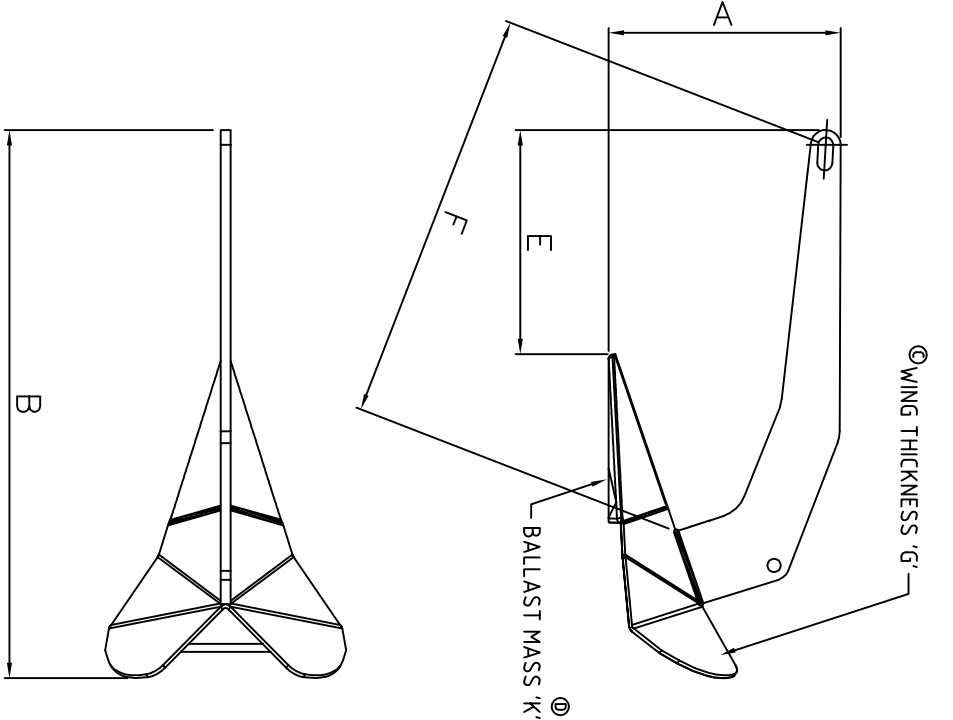
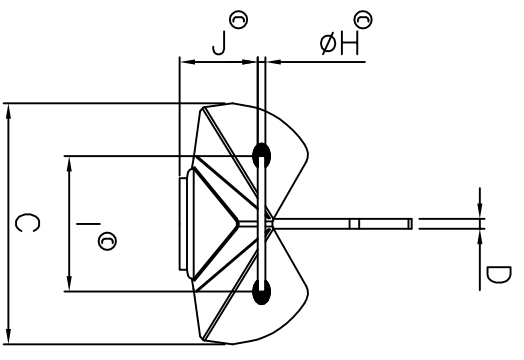
| ISSUE | REVISION | MOD No. | DATE |
|-------|--------------|---------|-----------|
| F | SEE MOD NOTE | 10503 | 18-Jan-07 |
| E | SEE MOD NOTE | 10480 | 11-Jan-07 |
| D | SEE MOD NOTE | 10392 | 27-Nov-06 |
| C | SEE MOD NOTE | 10377 | 21-Nov-06 |
| B | SEE MOD NOTE | 10232 | 31-Aug-06 |

BASIC DIMENSIONS OF GALVANISED DELTA ANCHOR

| | A | B | C | D | E | F | G | ØH | I | J | K (kg) |
|-------|-----|------|-------|------|-----|-----|---|----|-----|-----|--------|
| 4 kg | 217 | 514 | 230 | 8 | 210 | 387 | 4 | 8 | 116 | 71 | 1,5 |
| 6 kg | 254 | 593 | 265 | 10 | 243 | 450 | 4 | 10 | 148 | 81 | 2,7 |
| 10 kg | 293 | 695 | 310 | 12,5 | 282 | 526 | 5 | 10 | 172 | 95 | 4,0 |
| 16 kg | 339 | 812 | 362 | 12,5 | 328 | 614 | 5 | 12 | 205 | 114 | 6,1 |
| 20 kg | 370 | 877 | 392 | 16 | 357 | 663 | 6 | 12 | 225 | 123 | 8,0 |
| 25 kg | 397 | 945 | 415 | 16 | 387 | 713 | 6 | 12 | 245 | 135 | 9,9 |
| 32 kg | 425 | 1023 | 453,5 | 20 | 425 | 775 | 8 | 16 | 254 | 142 | 10,8 |
| 40 kg | 461 | 1099 | 489 | 20 | 435 | 833 | 8 | 16 | 265 | 154 | 13,7 |
| 50 kg | 486 | 1175 | 523 | 20 | 479 | 890 | 8 | 16 | 282 | 158 | 18,2 |
| 63 kg | 537 | 1270 | 567 | 22 | 508 | 963 | 8 | 25 | 290 | 171 | 24,6 |

BASIC DIMENSIONS OF ST/ST DELTA ANCHOR

| | A | B | C | D | E | F | G | ØH | I | J | K (kg) |
|-------|-----|------|-----|------|-----|-----|---|----|-----|-----|--------|
| 6 kg | 254 | 593 | 265 | 10 | 243 | 450 | 4 | 10 | 148 | 89 | 1,6 |
| 10 kg | 293 | 695 | 310 | 12,5 | 282 | 526 | 5 | 10 | 172 | 104 | 2,8 |
| 16 kg | 339 | 812 | 362 | 12,5 | 328 | 614 | 5 | 12 | 205 | 114 | 6,1 |
| 20 kg | 370 | 877 | 392 | 16 | 357 | 663 | 6 | 12 | 225 | 122 | 8,0 |
| 25 kg | 397 | 945 | 415 | 16 | 387 | 713 | 6 | 12 | 245 | 121 | 8,8 |
| 32 kg | 432 | 1028 | 446 | 20 | 407 | 774 | 8 | 16 | 250 | 143 | 6,5 |
| 40 kg | 461 | 1099 | 489 | 20 | 435 | 833 | 8 | 16 | 265 | 164 | 10,7 |
| 50 kg | 486 | 1175 | 523 | 20 | 479 | 890 | 8 | 16 | 282 | 167 | 17,2 |
| 63 kg | 537 | 1270 | 567 | 22 | 508 | 963 | 8 | 25 | 290 | 185 | 18,3 |



PART No. 60000431

ORIGINAL SIZE A2
 REFERENCE SCALE IN MM
 0 10 20 30 40 50

Unauthorized use, manufacture or reproduction
 In whole or in part is prohibited

NOTE:
 FOR GALVANISED ANCHORS - STEEL BALLAST IS WELDED DIRECTLY TO WINGS.
 FOR ST/ST ANCHORS - LEAD BALLAST IS HELD INSIDE WELDED CHAMBER.

| | | | |
|------------|------------------------|-----------|----------------------------|
| MATERIAL | ALL DIMENSIONS IN mm | DRN | TITLE |
| FINISH | TOLERANCES (AS STATED) | MD | DELTA ANCHOR SPECIFICATION |
| MODEL NAME | DATE 17-July-06 | SCALE NTS | PART No. 60000431 |
| | | | LEWMAIR |